



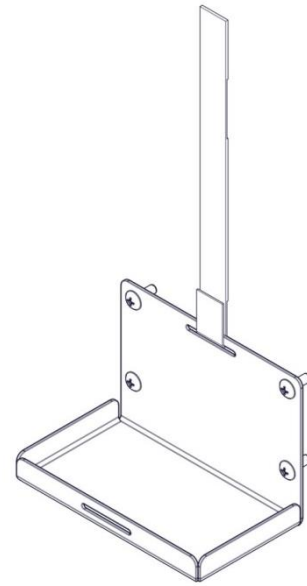
## BATTERY BRACKET KIT

PRODUCT PART NO. 108829

MODEL NO. 8829

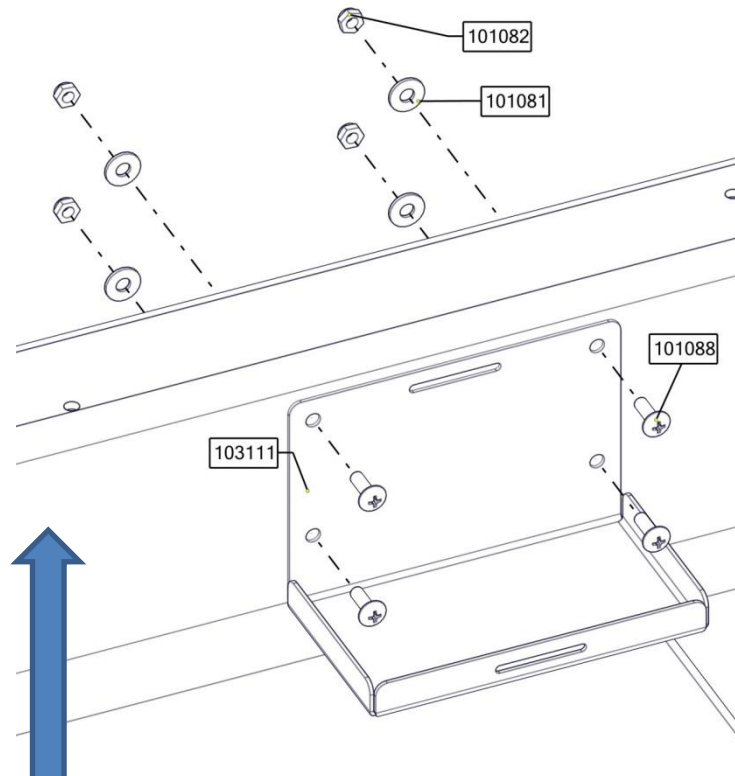
INSTRUCTION NO. 105099

- Customer Service Hrs: 9am to 4pm, Monday – Friday Central
- Clam Corporation  
Attn: Customer Service – Warranty Department  
12135 Brockton Lane  
Rogers, MN 55369
- Phone: 763-231-4120
- Fax: 763-231-4121
- Email: [customerservice@clamcorp.com](mailto:customerservice@clamcorp.com)
- Website: [Clamoutdoors.com](http://Clamoutdoors.com)



**NOTE: BEST IF BRACKET IS PLACED ON SAME SIDE AS DEVICE WIRES ARE LOCATED.**

1. POSITION BATTERY IN LOCATION THAT IS BEST FOR YOU APPLICATION.
2. MARK THE POSITION OF THE FOUR HOLE LOCATIONS AND DRILL THRU BASE.
3. FASTEN BRACKET (103111) AS SHOWN AND SECURELY TIGHTEN FASTENERS.



BASE SHOWN FOR ILLUSTRATION ONLY AND MAY NOT MATCH YOUR CURRENT BASE.