

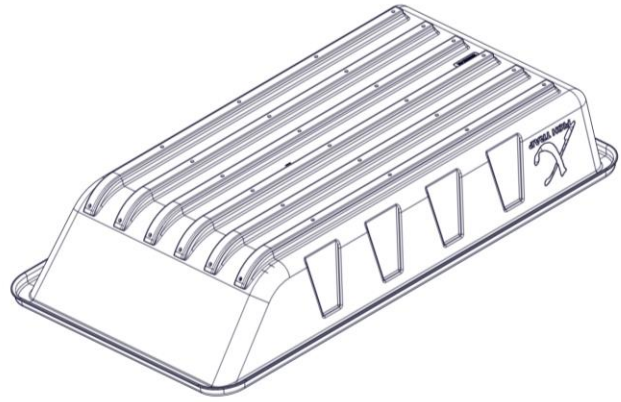


RUNNER KIT

Part No.110128

Instruction No.104966

FOR: X200 / X400



ITEM 10128

WARRANTY INFORMATION



Please contact customer service directly at the E-mail or phone number listed below for any quality issues. **ONCE USED THIS PRODUCT CANNOT BE RETURNED TO STORE.**

**** Warranty cannot be honored without an original, dated receipt ****

This product is warranted to the original retail purchaser its product be free from manufacturers defects for one (1) year from the date of the original purchase. Clam Outdoors, will replace or repair (Clam's option) any part found defective within the one (1) year time limit. All parts must be returned to Clam Outdoors. Before returning any parts, you must first call or write and acquire a return authorization. All returns must be returned postage-prepaid and include the original cash register receipt (date and purchase price).

To obtain a return authorization, please use one of the following methods:

- Customer Service Hrs: 9am to 4pm, Monday – Friday Central Standard Time
- Clam Corporation
Attn: Customer Service – Warranty Department
12135 Brockton Lane
Rogers, MN 55369
- Phone: 763-231-4120
- Fax: 763-231-4121
- Email: customerservice@clamcorp.com
- Website: Clamoutdoors.com

The warranty does not apply to any Wear Runner Kit which has been subjected to an accident, improper installation, modification, adjustment, repair, misuse, misapplication, neglect, including but not limited to improper maintenance, or use of unauthorized parts or attachments.

In your request, please include your full name, address, phone number, a copy of your receipt, a brief description of the problem, and pictures to clearly show the area(s) of concern. Our Warranty Department will review your request, and a Clam representative will contact you regarding your claim status. All returns must be shipped to us postage pre-prepaid.

LIMITATION OF LIABILITY


It is expressly understood that Clam Outdoors, liability for its products, whether due to breach of warranty, negligence, strict liability, or otherwise, is limited to the repair of the product as stated above. Clam Outdoors, is not liable for any injury, loss, damage, or expense, whether direct or consequential, including but not limited to loss of use, income, profit, or damage to material arising in connection with the sale, installation, use of, inability to use, or the repair or replacement of Clam Outdoors, products. Clam Outdoors, reserves the right to make alterations or modifications in its products at any time, which in its opinion, may improve the performance and efficiency of the product. It shall not be obligated to make such alterations or modifications to products already in service.


PARTS LIST

QTY.	PART NO.	DESCRIPTION
6	104926	RUNNER, .50 X 1.50 X 58 LG
1	104966	INSTRUCTION, RUNNER KIT, X200/X400
1	101550	KIT, HARDWARE RUNNER <i>(includes the following)</i>
30	102516	SCREW, 10-24 X 1" PTHMSSS
30	101548	NUT, 10-24 NYLOCK SS
30	101549	WASHER, #10 FENDER SS

Runner Kit Installation

1. Position the strips on the base. Using a 3/16" or slightly larger drill bit, drill a hole through the base using existing holes in the runner strip starting at the curved end of the base.
2. Slightly tighten fasteners to hold the strip in place so that you may then bend the runner around the curved area before drilling the next hole

 (If you have trouble bending the Wear Strip to the contour of the base, use a heat gun or hair dryer to make the Strips more pliable before drilling.)

 (Also, apply a small amount of grease to threads of screw to prevent seizing of threads.)

3. Drill next hole through the base and slightly tighten fastener to hold the runner in place.
4. Keep repeating this procedure for remaining holes and securely tighten all fasteners when they are all installed.
5. Repeat same process for remaining runners.

