

- SPECIFICATIONS:

Part Number: 115257
Load Capacity: 400 lbs.
Load Size: 10 Cubic Feet
Dimensions: L65x W31 x H29
Overall Weight: 49 lbs.
Tires: 20"
Instruction P/N 106321

POLARTRAILER.COM

UTILITY CART

MODEL 8376

WARRANTY INFORMATION



Please contact customer service directly at the E-mail or phone number listed below for any quality issues. **ONCE USED THIS PRODUCT CANNOT BE RETURNED TO STORE.**

**** Warranty cannot be honored without an original, dated receipt ****

**** REGISTER YOUR PURCHASE ONLINE AT POLARTRAILER.COM ****

IMPORTANT-PLEASE READ:

CLAM OUTDOORS INC. warrants to the original retail purchaser its product be free from manufacturers defects for (5) years from the date of the original purchase. Clam Outdoors Inc will replace or repair any part found defective within the (5) year time limit. All parts must be returned to Clam Outdoors Inc. Before returning any parts, you must first call or write and acquire a return authorization. All returns must be returned postage-prepaid and include the original cash register receipt (date and purchase price).

To submit a warranty claim request, please use one of the following methods:

- <https://polartrailer.com/pages/warranty-form>
- Email: customerservice@clamcorp.com

The warranty does not apply to any Polar Trailer which has been subjected to an accident, improper installation, modification, adjustment, repair, misuse, misapplication, neglect, including but not limited to improper maintenance, or use of unauthorized parts or attachments.

LIMITATION OF LIABILITY

It is expressly understood that Clam Outdoors Inc. liability for its products, whether due to breach of warranty, negligence, strict liability, or otherwise, is limited to the repair of the product as stated above. Clam Outdoor Inc. is not liable for any injury, loss, damage, or expense, whether direct or consequential, including but not limited to loss of use, income, profit, or damage to material arising in connection with the sale, installation, use of, inability to use, or the repair or replacement of Clam Outdoor Inc. products. Clam Outdoor Inc. reserves the right to make alterations or modifications in its products at any time, which in its opinion, may improve the performance and efficiency of the product. It shall not be obligated to make such alterations or modifications to products already in service.

Clam contact information

- Customer Service Hrs: 9am to 4pm, Monday – Friday Central Standard Time
- Clam Outdoors
Attn: Customer Service
12135 Brockton Lane
Rogers, MN 55369
- Phone: 763-231-4120

PARTS LIST

QTY.	PART NO.	DESCRIPTION
1	102612	BASE, CURVED
1	106321	INSTRUCTIONS, UTILITY CART
2	102595	20" SPOKED WHEELS
1	104257	REMOVABLE LABEL, UTILITY CART
1	106319	INNERPACK, UTILITY CART (INCLUDES THE FOLLOWING)
1	105339	HANDLE, TOP, UTILITY CART
1	102609	ASSY, TUBE CAP, LEG
1	102599	WELDMENT, AXLE, 20" HANDCART
2	105344	ASSY, HANDLE, SIDE, UTILITY CART
1	106320	KIT, HRDWR, UTILTIY CART (INCLUDES THE FOLLOWING)
2	102201	SPRING COTTER PIN
11	106291	SCREW, 5/16-18 X 1.75, PT, BTN, HEX DRIVE
4	102607	WASHER, .75 USS SAE STANDARD YZ
11	106283	NUT, 5/16-18, FLANGE, NYLOCK
3	106293	SCREW, 1/ 4-20 X 1.50 BTN, HEX DRIVE
3	106284	NUT, 1/4-20, FLANGE, NYLOCK
1	106292	ALLEN WRENCH, 3/16 HEX DRIVE, L-SHAPE, 5/16 THREADS
1	106294	ALLEN WRENCH, 5/32 HEX DRIVE, L-SHAPE, 1/4 THREADS



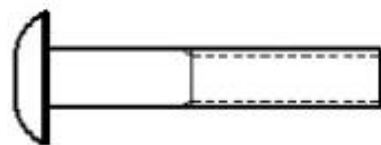
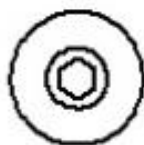
THERE ARE EXTRA FASTENERS INCLUDED WITH THE HARDWARE KIT 106320



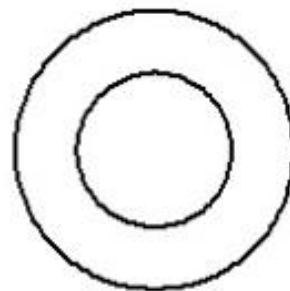
FASTENERS



3X 106293



11X 106291



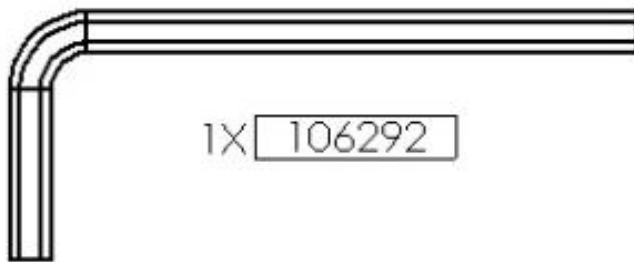
4X 102607



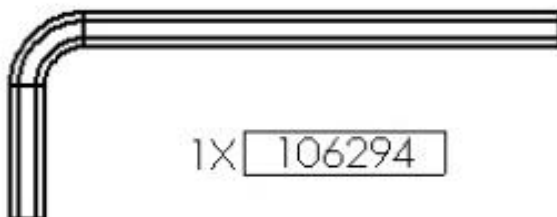
3X 106284



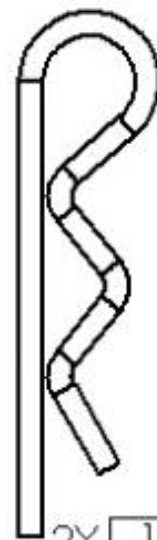
11X 106283



1X 106292



1X 106294



2X 102201

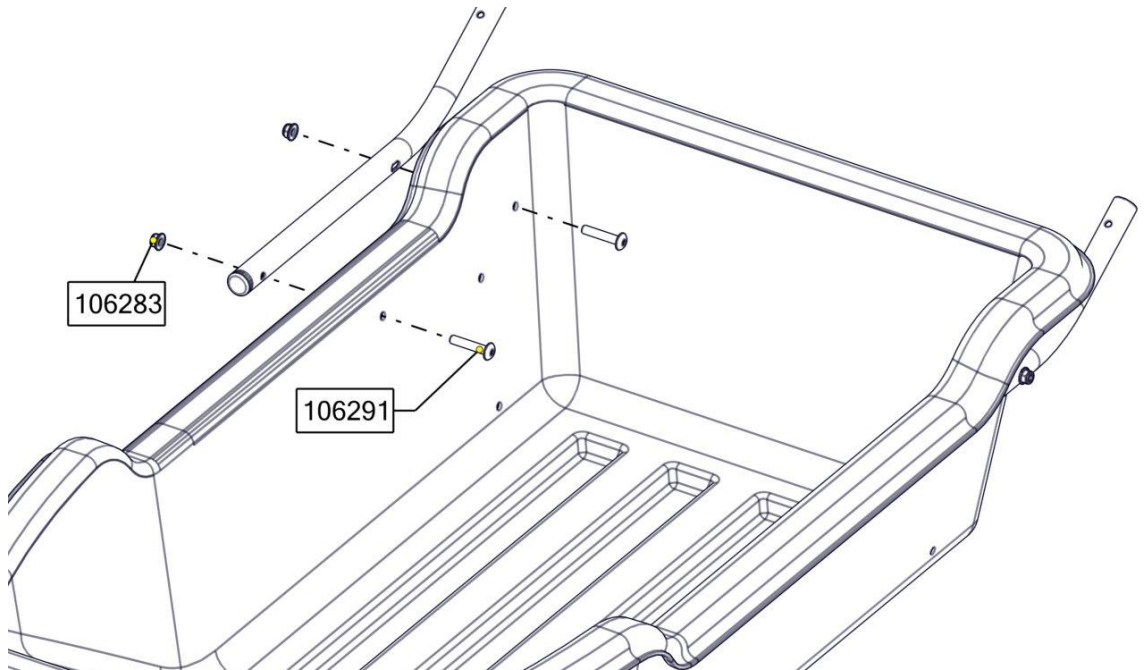
STEP-1

Please Notice This



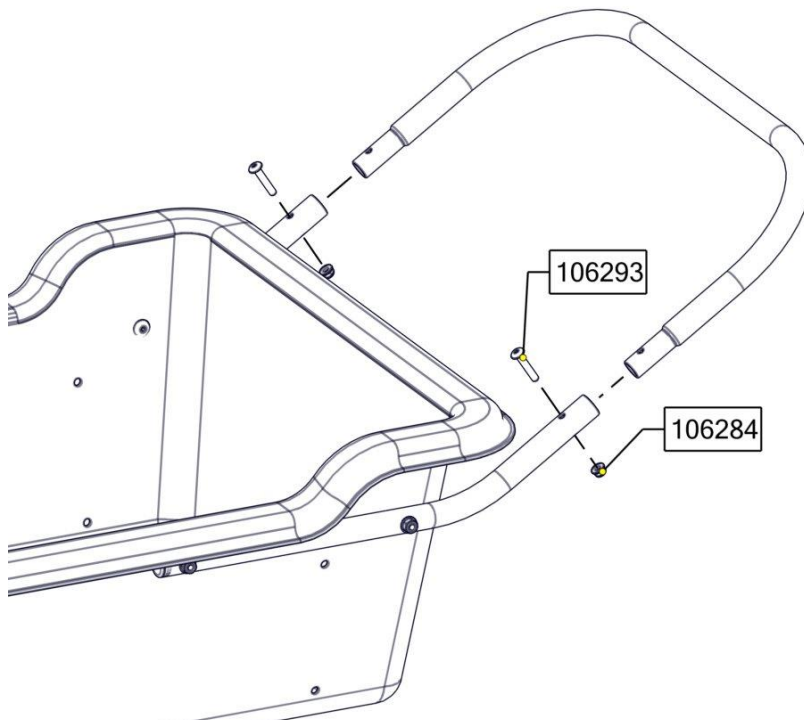
- *USING A DROP OF OIL ON ALL NUTS WILL EASE THE ASSEMBLY PROCESS.
- *IT IS BEST TO USE THE AID OF ANOTHER PERSON DURING ASSEMBLY.

1. **LOOSELY** INSTALL ONE SIDE HANDLE TO EACH SIDE OF TRAILER BASE AS SHOWN.



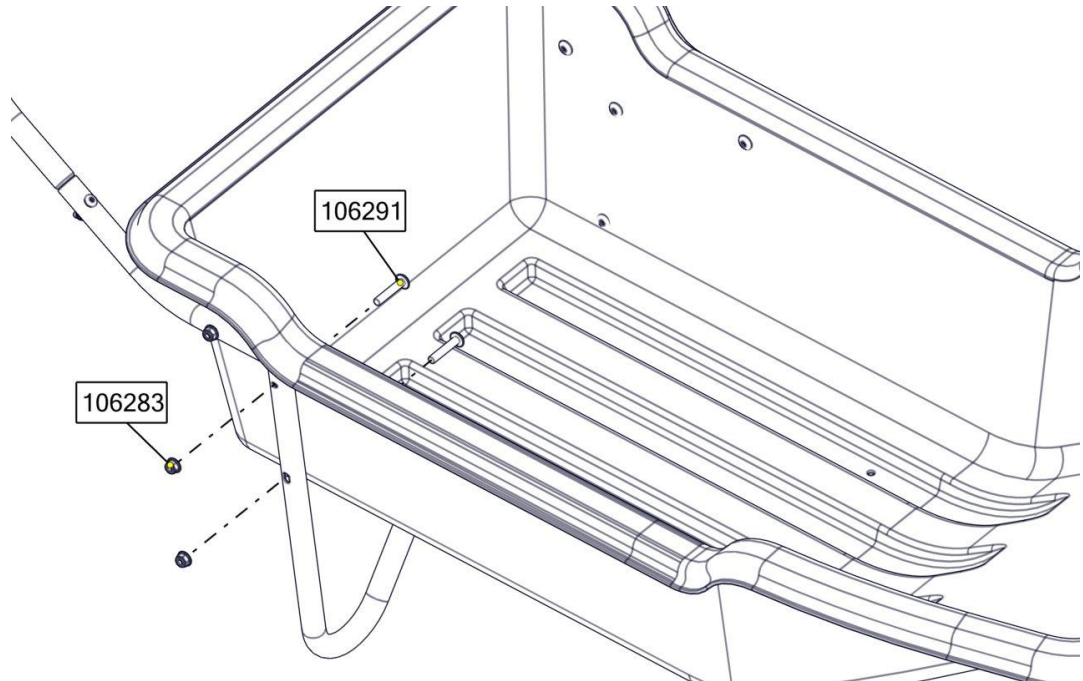
STEP-2

1. ASSEMBLE THE HANDLE TO THE SIDE HANDLES AS SHOWN AND SECURELY TIGHTEN ALL FASTENERS AT THIS POINT INCLUDING THOSE FROM STEP-1.



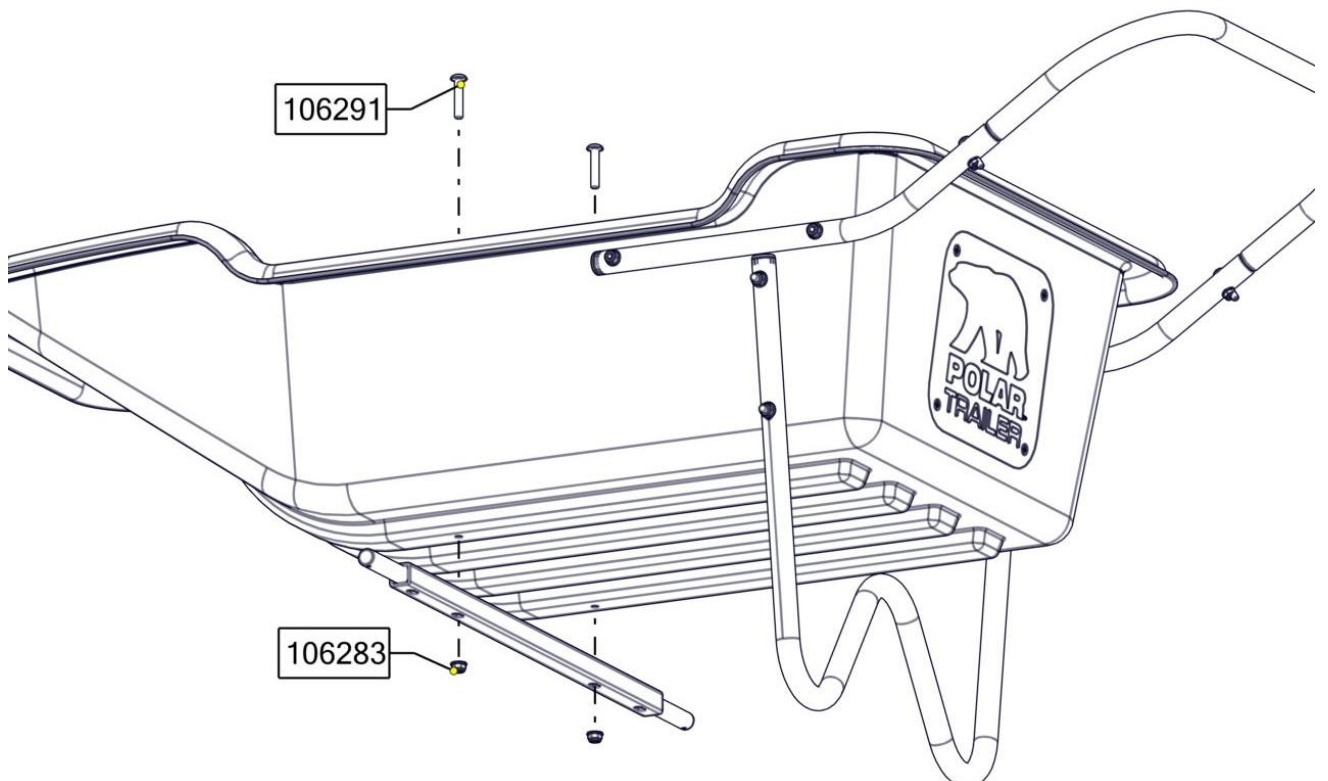
STEP-3

1. ASSEMBLE THE LEG BOTH SIDES OF THE BASE AS SHOWN AND TIGHTEN SECURELY.



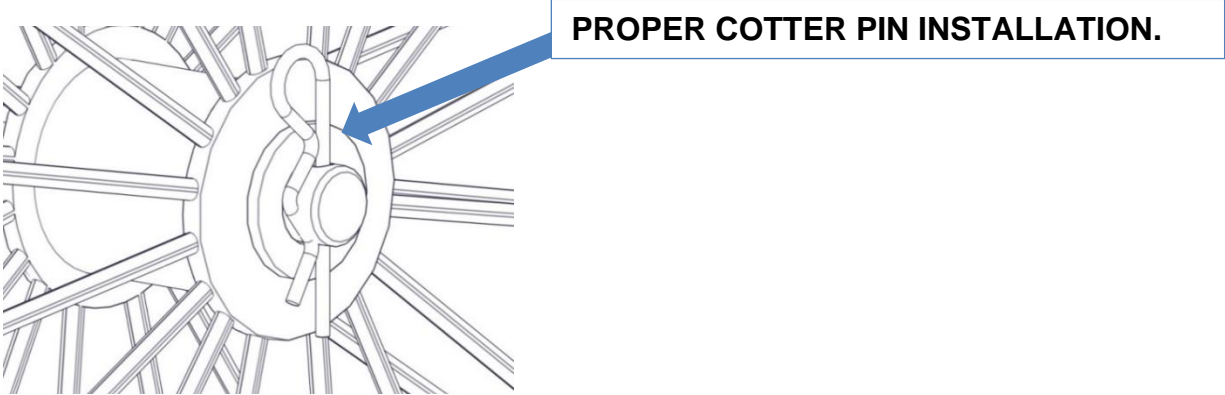
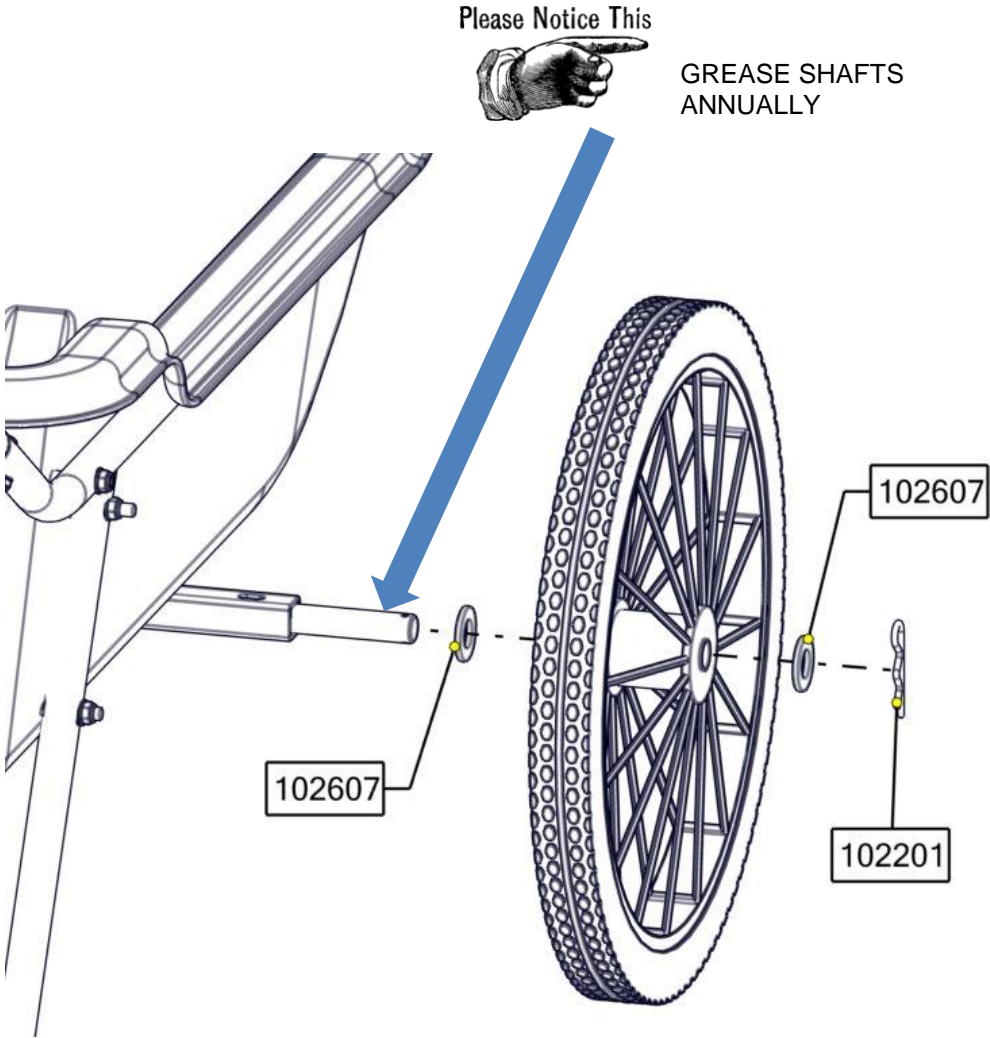
STEP-4

1. ASSEMBLE THE AXLE TO BOTTOM SIDE OF BASE AS SHOWN AND TIGHTEN SECURELY.



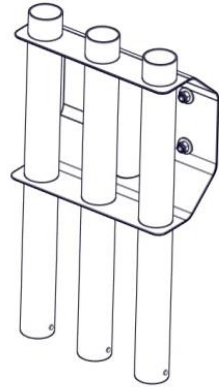
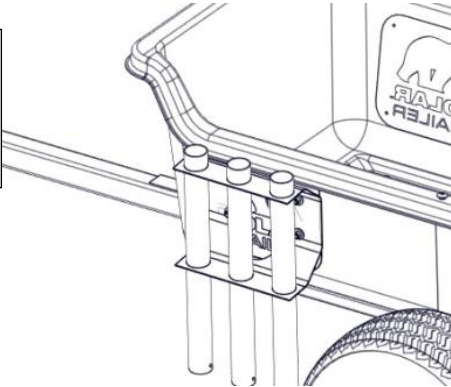
STEP-5

1. ASSEMBLE THE WHEELS TO AXLE AS SHOWN AND SECURE IN PLACE WITH COTTER PIN.



VISIT OUR WEB-SITE FOR ADDITIONAL ACCESSORIES THAT MAY BE AVAILABLE FOR YOUR TRAILER

TOOL RACK
PART# 110517



TOOL ORGANIZER
PART# 110518

