

CUB CART

MODEL 8449

- SPECIFICATIONS:

Part Number:	115258
Load Capacity:	400 lbs.
Load Size:	7 Cubic Feet
Dimensions:	L49x W28 x H30
Overall Weight:	35 lbs.
Tires:	15 X 4.00-8"
Instruction P/N	106324

POLARTRAILER.COM

WARRANTY INFORMATION

Please contact customer service directly at the E-mail or phone number listed below for any quality issues. **ONCE USED THIS PRODUCT CANNOT BE RETURNED TO STORE.**



**** Warranty cannot be honored without an original, dated receipt ****

**** REGISTER YOUR PURCHASE ONLINE AT POLARTRAILER.COM ****

IMPORTANT-PLEASE READ:

CLAM OUTDOORS INC. warrants to the original retail purchaser its product be free from manufacturers defects for (5) years from the date of the original purchase. Clam Outdoors Inc will replace or repair any part found defective within the (5) year time limit. All parts must be returned to Clam Outdoors Inc. Before returning any parts, you must first call or write and acquire a return authorization. All returns must be returned postage-prepaid and include the original cash register receipt (date and purchase price).

To submit a warranty claim request, please use one of the following methods:

- <https://polartrailer.com/pages/warranty-form>
- Email: customerservice@clamcorp.com

The warranty does not apply to any Polar Trailer which has been subjected to an accident, improper installation, modification, adjustment, repair, misuse, misapplication, neglect, including but not limited to improper maintenance, or use of unauthorized parts or attachments.

LIMITATION OF LIABILITY

It is expressly understood that Clam Outdoors Inc. liability for its products, whether due to breach of warranty, negligence, strict liability, or otherwise, is limited to the repair of the product as stated above. Clam Outdoor Inc. is not liable for any injury, loss, damage, or expense, whether direct or consequential, including but not limited to loss of use, income, profit, or damage to material arising in connection with the sale, installation, use of, inability to use, or the repair or replacement of Clam Outdoor Inc. products. Clam Outdoor Inc. reserves the right to make alterations or modifications in its products at any time, which in its opinion, may improve the performance and efficiency of the product. It shall not be obligated to make such alterations or modifications to products already in service.

Clam contact information

- Customer Service Hrs: 9am to 4pm, Monday – Friday Central Standard Time
- Clam Outdoors
Attn: Customer Service
12135 Brockton Lane
Rogers, MN 55369
- Phone: 763-231-4120

PARTS LIST

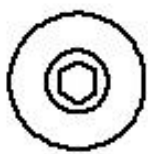
QTY.	PART NO.	DESCRIPTION
1	102929	TUB, SMALL CART
2	102934	ASSY, WHEEL, 15 X 4.80/4.00-8
1	106324	INSTRUCTIONS, CUB CART
2	102986	STICKER, CUB CART/TRLR
1	104258	REMOVABLE LABEL, CUB CART
1	106322	INNERPACK, CUB CART (INCLUDES THE FOLLOWING)
1	102944	BRKT, HANDLE, CART
2	102957	TUBE, HANDLE, BOTTOM
1	102958	TUBE, HANDLE, TOP
1	102914	WELDMENT, AXLE, SMALL CART
1	106323	KIT, HRDWR, CUB CART (INCLUDES THE FOLLOWING)
3	106295	SCREW, 5/16-18 X 3.00, PT, BTN, HEX DRIVE
7	102035	WASHER, 5/16 WIDE FLAT
7	106283	NUT, 5/16-18, FLANGE, NYLOCK
3	106296	SCREW, 5/16-18 X 2.25, PT, BTN, HEX DRIVE
2	102201	SPRING COTTER PIN
4	102607	WASHER, .75 USS SAE STANDARD YZ
3	106287	SCREW, 5/16-18 X 1.00, BTN, HEX DRIVE
5	106293	SCREW, 1/ 4-20 X 1.50 BTN, HEX DRIVE
5	106284	NUT, 1/4-20, FLANGE, NYLOCK
2	102962	WASHER, PLASTIC, 5/16"
2	102915	TUBE, PLASTIC FLAT
1	106294	ALLEN WRENCH, 5/32 HEX DRIVE, L-SHAPE, 1/4 THREADS
1	106292	ALLEN WRENCH, 3/16 HEX DRIVE, L-SHAPE, 5/16 THREADS



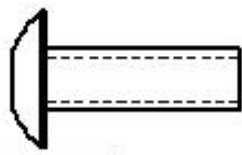
THERE ARE EXTRA FASTENERS INCLUDED WITH THE HARDWARE KIT 106323



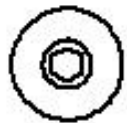
FASTENERS



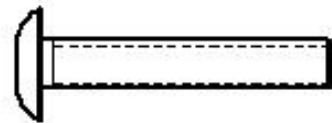
3X 106287



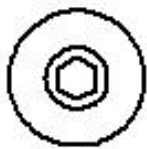
7X 106283



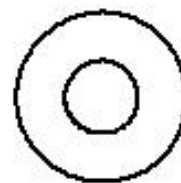
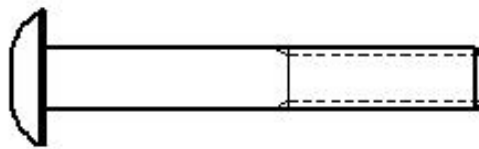
5X 106293



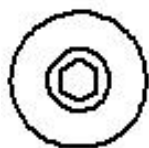
5X 106284



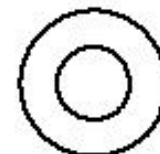
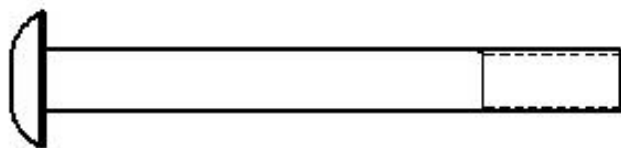
3X 106296



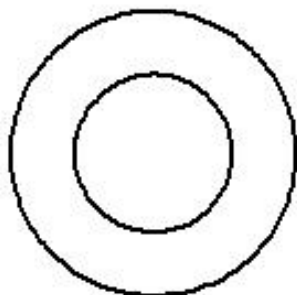
7X 102035



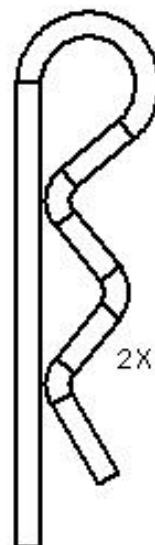
3X 106295



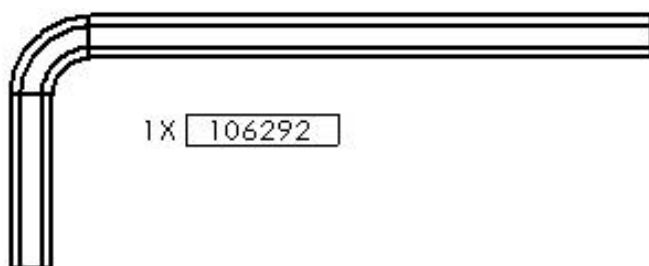
2X 102962



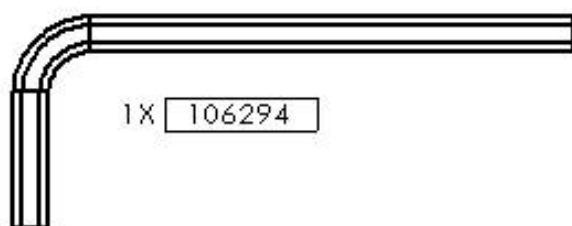
4X 102607



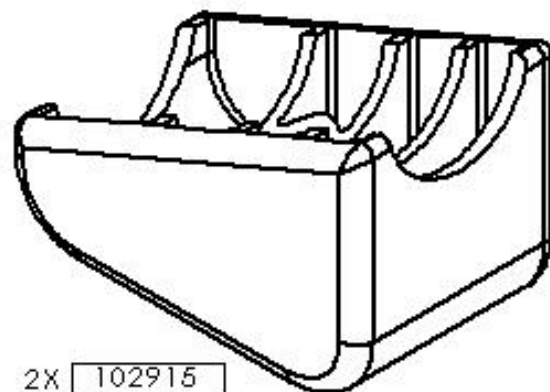
2X 102201



1X 106292



1X 106294



2X 102915

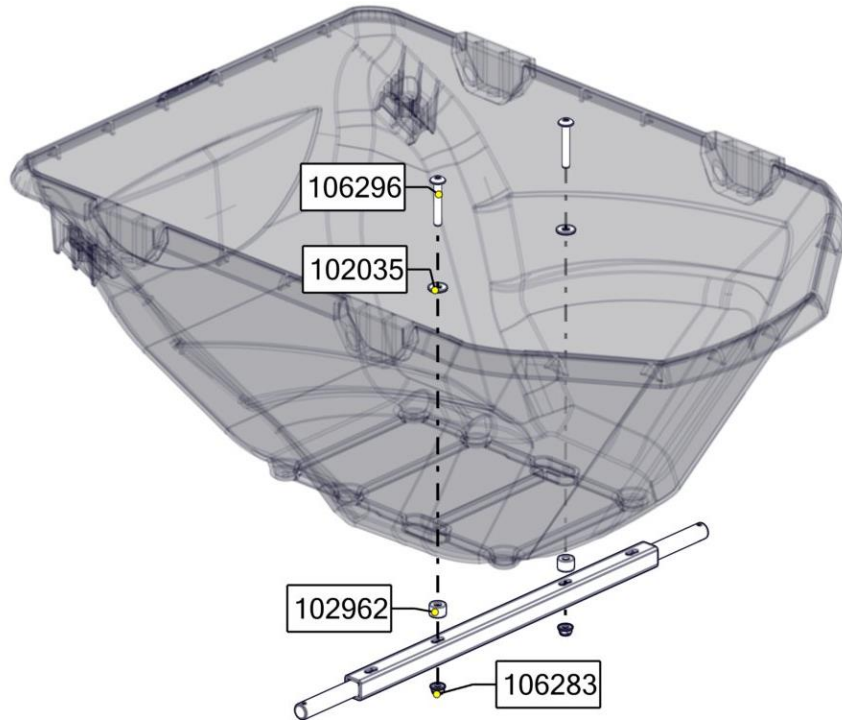
STEP-1

Please Notice This



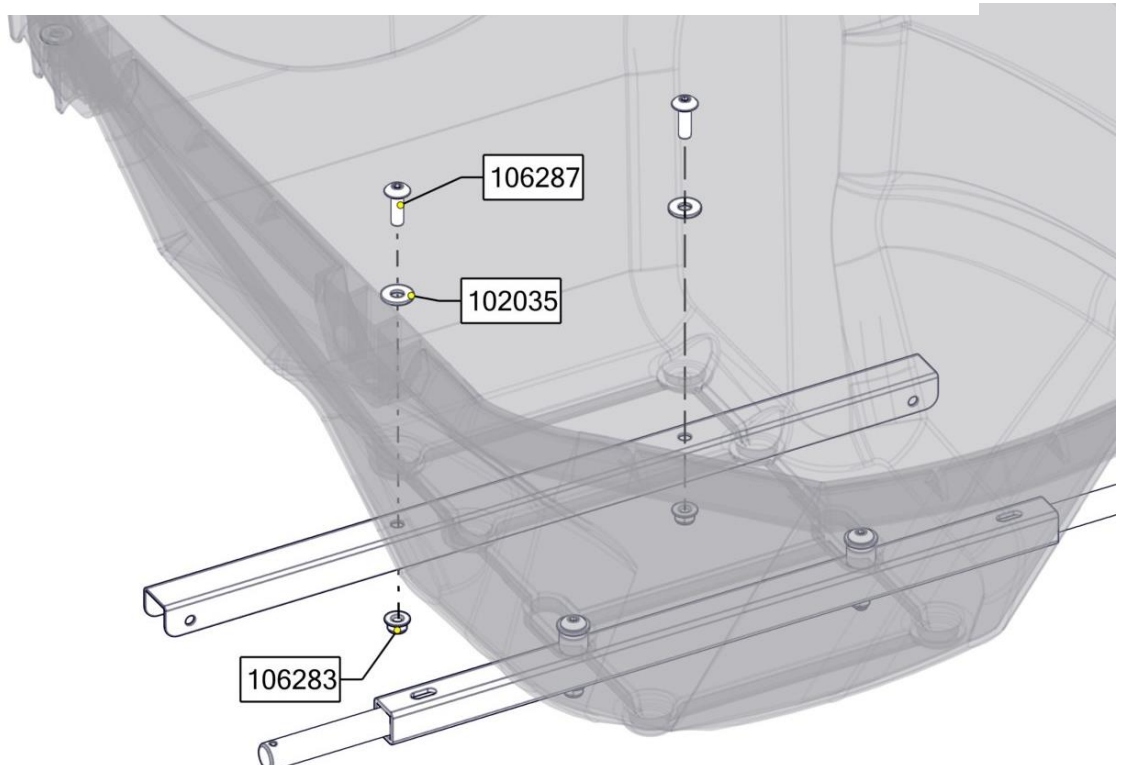
***USING A DROP OF OIL ON ALL NUTS WILL EASE THE ASSEMBLY PROCESS.
*IT IS BEST TO USE THE AID OF ANOTHER PERSON DURING ASSEMBLY.**

1. INSTALL AXLE TO BASE AND **TIGHTEN** AS SHOWN.



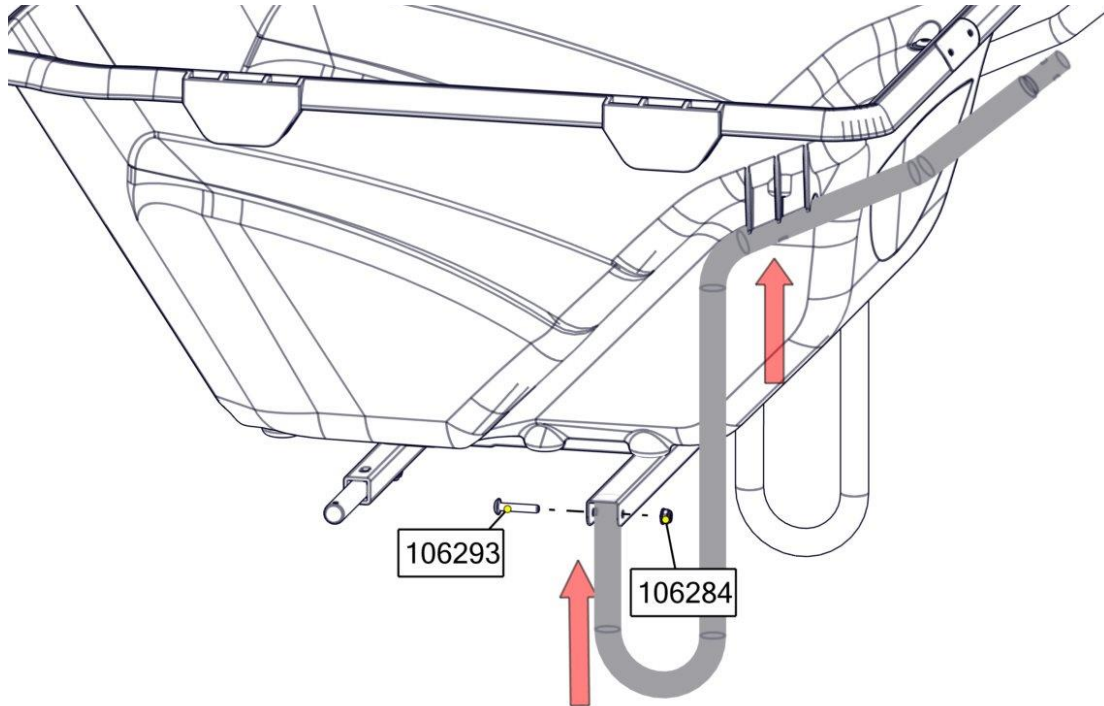
STEP-2

1. **LOOSELY** INSTALL HANDLE BRACKET TO BASE AS SHOWN.



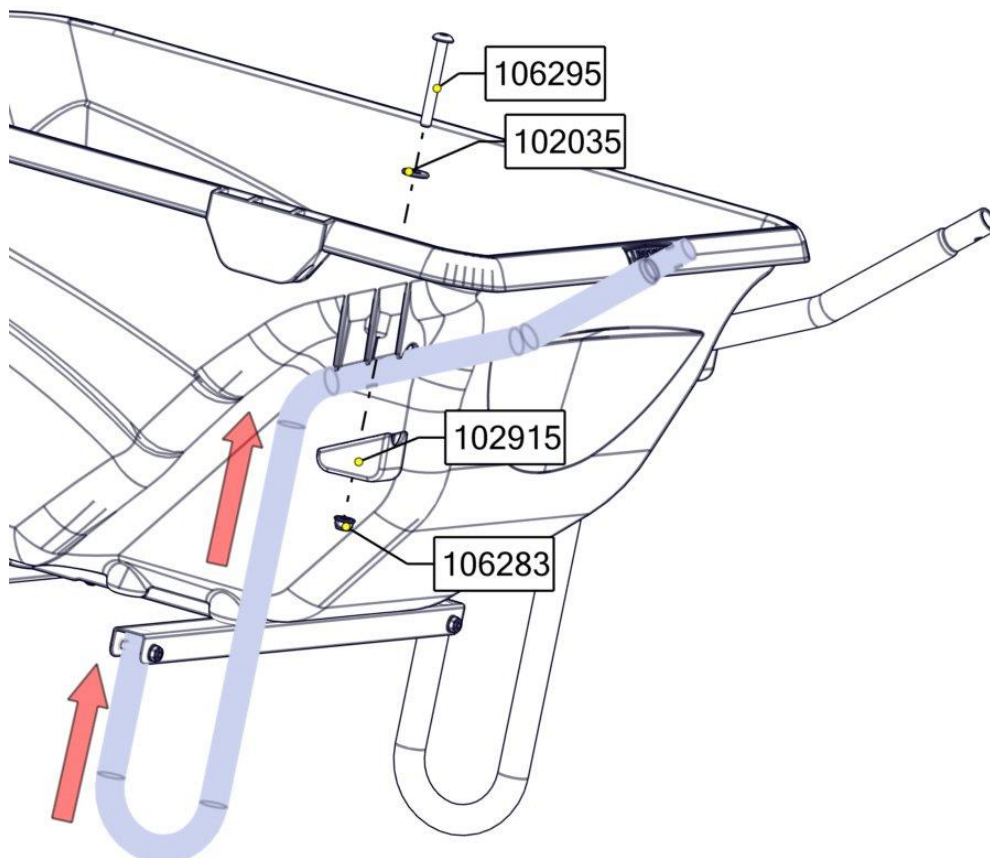
STEP-3

1. POSITION SIDE HANDLES AND **LOOSELY** INSTALL TO BRACKET WITH FASTENERS AS SHOWN. (BOTH SIDES)



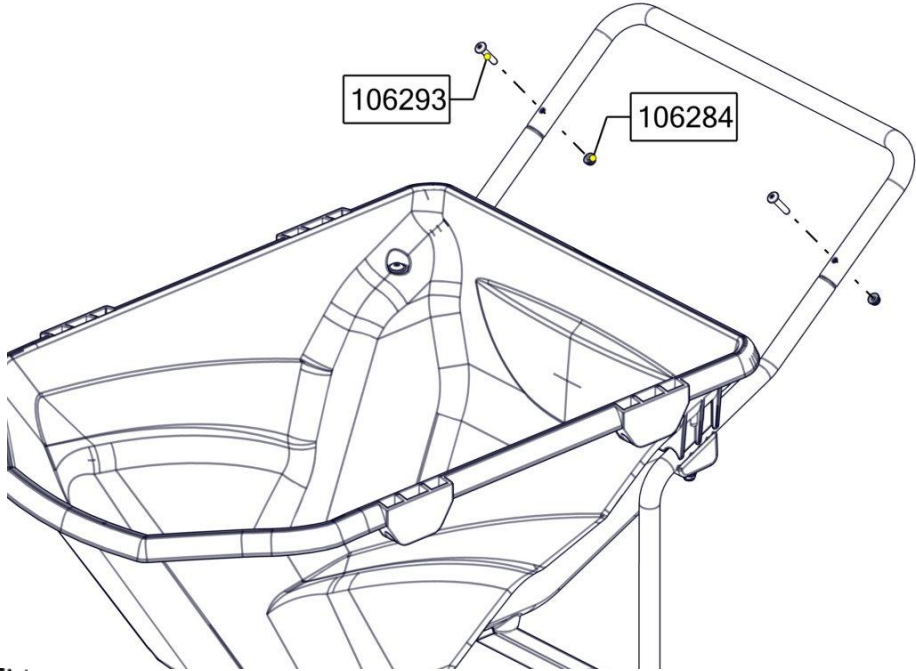
STEP-4

1. **LOOSELY** INSTALL SIDE HANDLE TO BASE AS SHOWN. (BOTH SIDES). IF NEEDED REMOVE FASTENERS FROM PREVIOUS STEP AND RE-INSTALL.



STEP-5

1. **LOOSELY** INSTALL HANDLES WITH FASTENERS AS SHOWN.



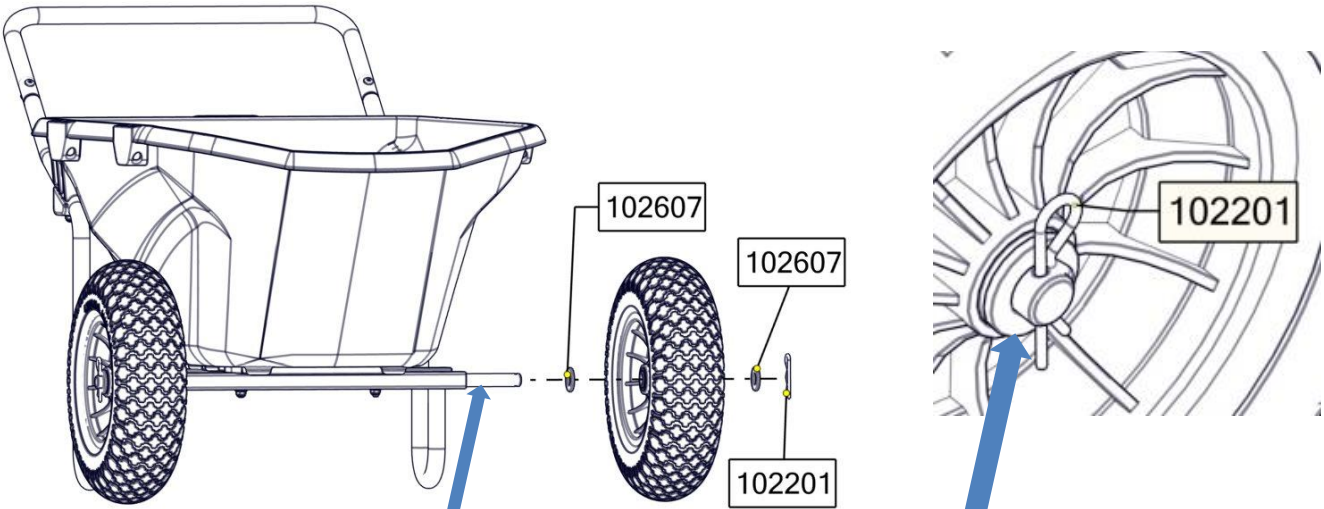
Please Notice This



ONCE HANDLE IS INSTALLED SECURELY TIGHTEN ALL FASTENERS FROM PREVIOUS STEPS

STEP-6

1. INSTALL WHEELS WITH FASTENERS AS SHOWN.



Please Notice This



GREASE SHAFTS ANNUALLY

PROPER COTTER PIN INSTALLATION.