



HD 1500

MODEL 8233

- SPECIFICATIONS:

Part Number:	115249
Load Capacity:	1500 lbs.
Load Size:	22 Cubic Feet
Heap Load Size:	27 Cubic Feet
Dimensions:	L100x W54 x H33
Overall Weight:	127 lbs.
Tires:	18 x 8.50-8
Instruction P/N	106302

POLARTRAILER.COM

WARRANTY INFORMATION



Please contact customer service directly at the E-mail or phone number listed below for any quality issues. **ONCE USED THIS PRODUCT CANNOT BE RETURNED TO STORE.**

**** Warranty cannot be honored without an original, dated receipt ****

**** REGISTER YOUR PURCHASE ONLINE AT POLARTRAILER.COM ****

IMPORTANT-PLEASE READ:

CLAM OUTDOORS INC. warrants to the original retail purchaser its product be free from manufacturers defects for (5) years from the date of the original purchase. Clam Outdoors Inc will replace or repair any part found defective within the (5) year time limit. All parts must be returned to Clam Outdoors Inc. Before returning any parts, you must first call or write and acquire a return authorization. All returns must be returned postage-prepaid and include the original cash register receipt (date and purchase price).

To submit a warranty claim request, please use one of the following methods:

- <https://polartrailer.com/pages/warranty-form>
- Email: customerservice@clamcorp.com

The warranty does not apply to any Polar Trailer which has been subjected to an accident, improper installation, modification, adjustment, repair, misuse, misapplication, neglect, including but not limited to improper maintenance, or use of unauthorized parts or attachments.

LIMITATION OF LIABILITY


It is expressly understood that Clam Outdoors Inc. liability for its products, whether due to breach of warranty, negligence, strict liability, or otherwise, is limited to the repair of the product as stated above. Clam Outdoor Inc. is not liable for any injury, loss, damage, or expense, whether direct or consequential, including but not limited to loss of use, income, profit, or damage to material arising in connection with the sale, installation, use of, inability to use, or the repair or replacement of Clam Outdoor Inc. products. Clam Outdoor Inc. reserves the right to make alterations or modifications in its products at any time, which in its opinion, may improve the performance and efficiency of the product. It shall not be obligated to make such alterations or modifications to products already in service.

Clam contact information

- Customer Service Hrs: 9am to 4pm, Monday – Friday Central Standard Time
- Clam Outdoors
Attn: Customer Service
12135 Brockton Lane
Rogers, MN 55369
- Phone: 763-231-4120

WARNING:

- **THIS ATTACHMENT IS INTENDED FOR USE IN LAWN CARE AND HOME APPLICATIONS.**
- **DO NOT TOW BEHIND A VEHICLE ON A HIGHWAY OR IN ANY HIGH SPEED APPLICATION.**
- **THIS PRODUCT HAS BEEN DESIGNED FOR OFF-ROAD USE ONLY.**
- **MAXIMUM TOW SPEED IS 10 MPH.**

 THE FOLLOWING STATEMENTS ARE SUGGESTIONS AND DO NOT SUPERCEDE OR ELIMINATE ANY TOWING AND SAFETY INSTRUCTIONS LISTED IN ANY OWNERS MANUALS FOR ANY PRODUCT BEING USED FOR THE PURPOSE OF TOWING ANY CLAM OUTDOORS INC. PRODUCTS. ALWAYS REFER TO THE TOWING VEHICLES MANUAL, GUIDELINES OR INSTRUCTIONS.

Transporting Loads Safely

- Stopping distance increases with speed and weight of towed load. Travel slowly and allow extra time and distance to stop.
- Total towed weight must not exceed limits specified in towing vehicle operator's manual.
- Excessive towed load can cause loss of traction and loss of control on slopes. Reduce towed weight when operating on slopes.
- Never allow children or others in or on towed equipment.
- Use only approved hitches. Tow only with a machine that has a hitch designed for towing. Do not attach towed equipment except at the approved hitch point.
- Follow the manufacturer's recommendations for weight limits for towed equipment and towing on slopes.
- Do not turn sharply. Use additional caution when turning or operating under adverse surface conditions. Use care when reversing.
- Do not shift to neutral and coast downhill

Protect Bystanders

- Keep bystanders away when you operate a towed attachment.
- Before you back machine and attachment, look carefully behind attachment for bystanders.

Keep Riders off Towed Attachment

- Keep riders off of a towed attachment.
- Riders on a towed attachment are subject to injury, such as being struck by objects and being thrown off the attachment during sudden starts, stops and turns.
- Riders obstruct the operator's view, resulting in the attachment being used in an unsafe manner.
- Keep riders off of the hitch bracket or trailer tongue.

PARTS LIST

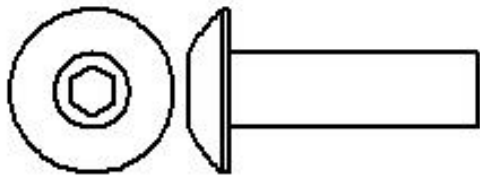
QTY.	PART NO.	DESCRIPTION
2	102587	ASSY, WHEEL 18 X 8.50-8, 4-PLY TURF
1	101980	BASE, LRG XTR TRL
1	102656	DECAL, POLAR, HD1500
1	102658	DECAL, POLAR, ONE TOUGH TRAILER
1	106302	INSTRUCTIONS, HD1500
1	104261	REMOVABLE LABEL HD 1500 TRAILER
1	106300	INNERPACK, HD 1500 TRAILER (INCLUDE THE FOLLOWING)
1	101721	TUBE, 2 X 2 PIVOT
1	101787	ASSY, LRG U-FRAME
1	101792	WELDT, LRG AXLE
1	101824	PLATE, BLACK PULL SUPPORT
1	101822	WELDT, HITCH PULL
1	102239	ASSY, LRG HITCH TUBE
1	106301	KIT, HRDWR, HD 1500/1200 TRAILERS (INCLUDE THE FOLLOWING)
7	106282	NUT, 1/2-13, FLANGE, NYLOCK
7	101739	BOLT, 1/2-13 X 3.50 CB GR5 CZ
7	106281	NUT, 3/8-16, FLANGE, NYLOCK
7	106285	SCREW, 3/8-16 X 1.25, BTN, HEX DRIVE
4	101732	WASHER, 1" FLAT SAE CZ
2	101823	PIN, 1/4" LYNCH
4	103280	WASHER, SQUARE, TRAILERS
1	102200	BENT ARM PIN
1	102201	SPRING COTTER PIN
1	106288	ALLEN WRENCH, 7/32 HEX DRIVE, L-SHAPE
7	101741	WASHER 3/8 FLAT



THERE ARE EXTRA FASTENERS INCLUDED WITH THE HARDWARE KIT 106301



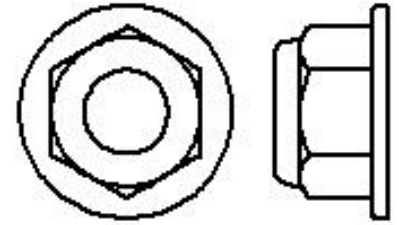
FASTENERS



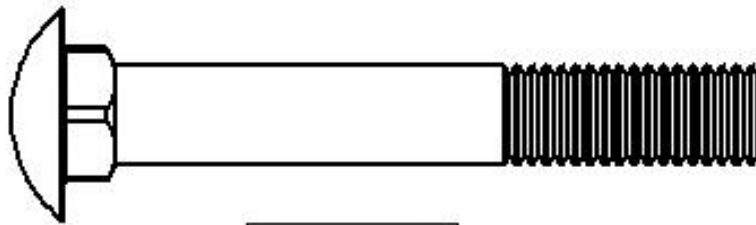
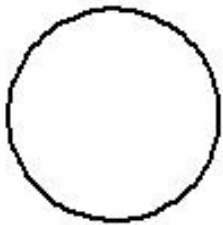
7X 106285



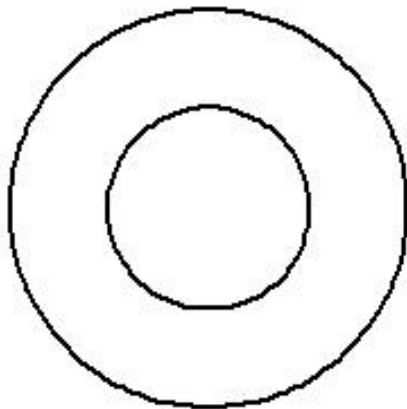
7X 106281



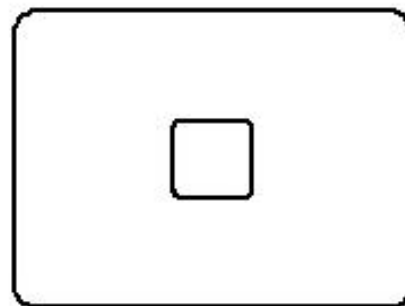
7X 106282



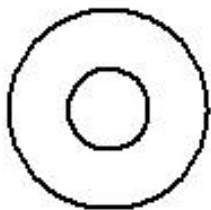
7X 101739



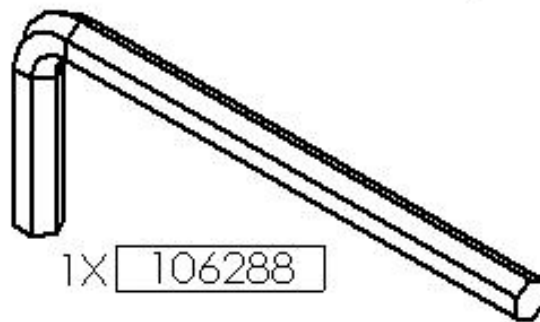
4X 101732



4X 103280



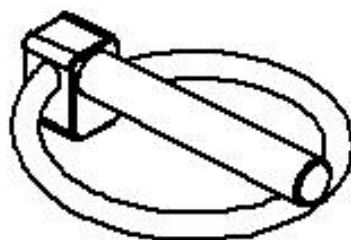
7X 101741



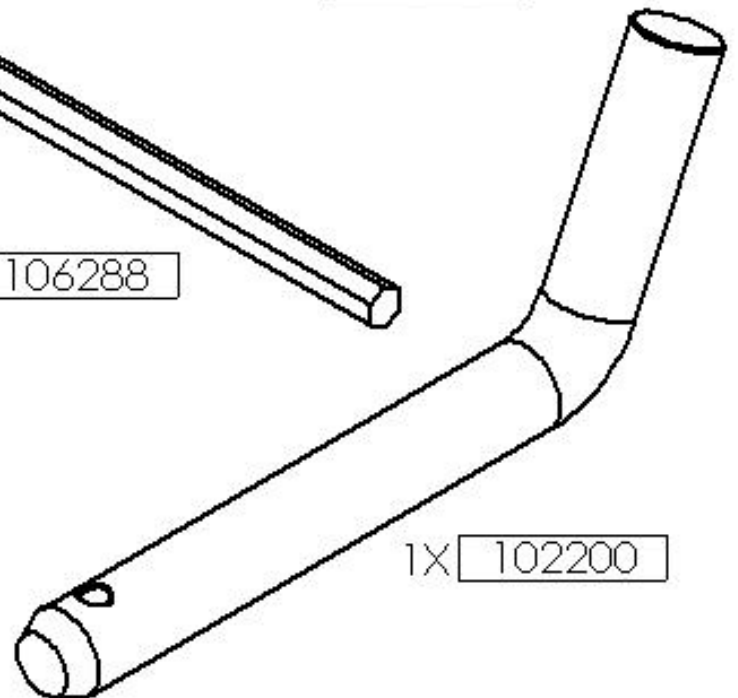
1X 106288



1X 102201



2X 101823



1X 102200

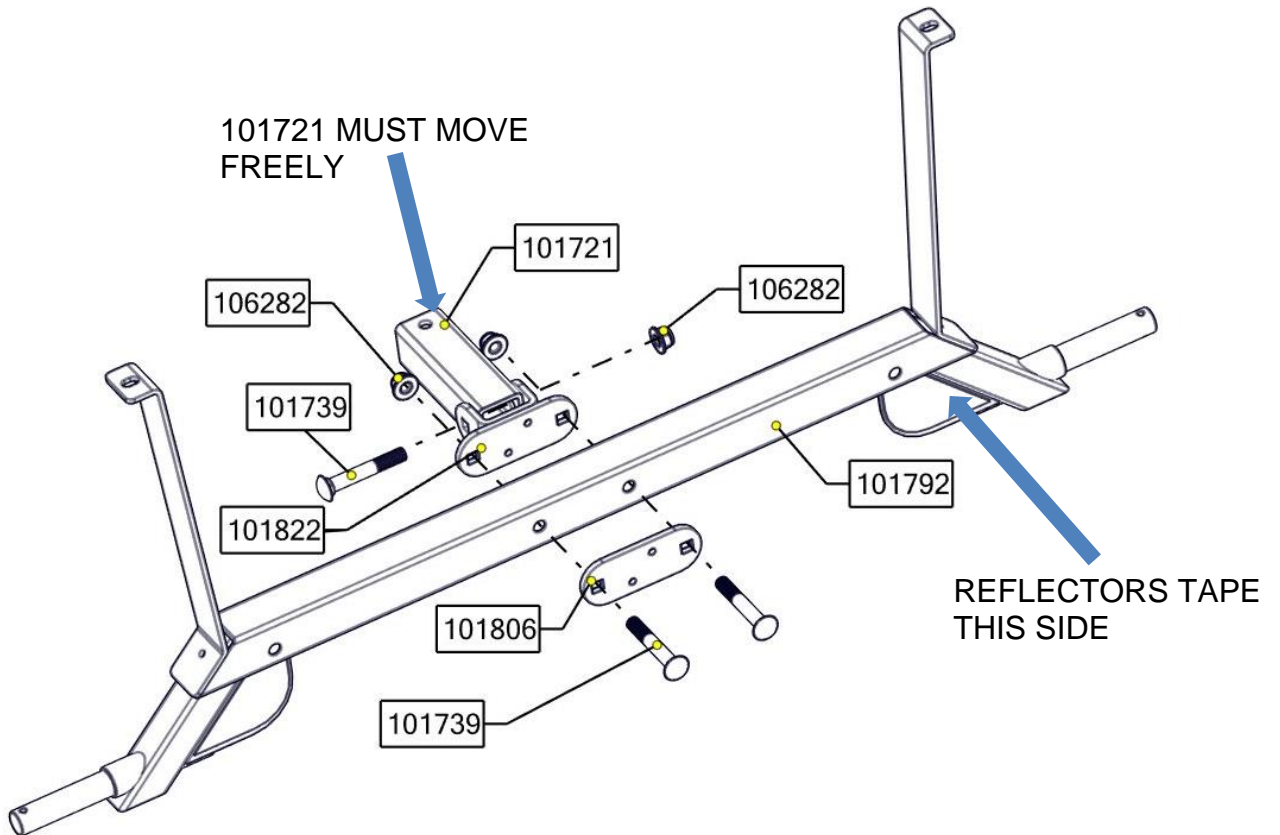
STEP-1

Please Notice This



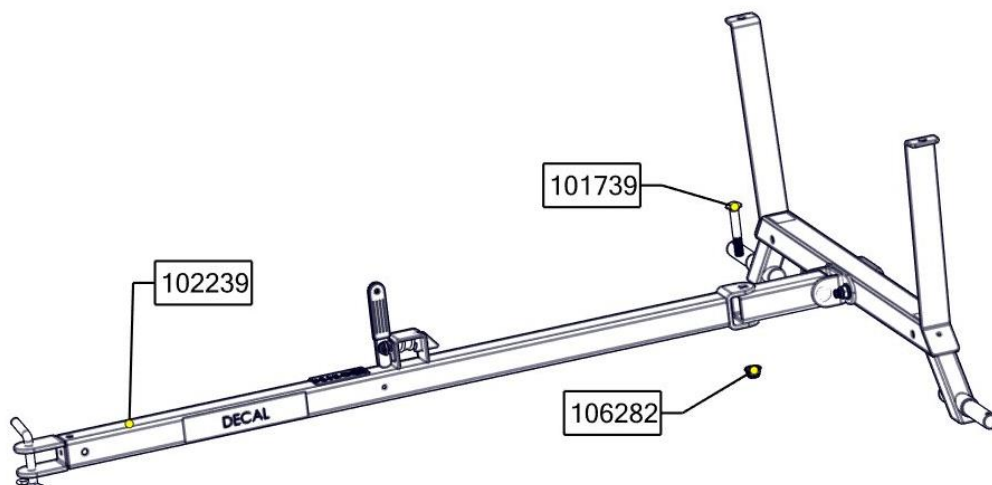
- *USING A DROP OF OIL ON ALL NUTS WILL EASE THE ASSEMBLY PROCESS.
- *IT IS BEST TO USE THE AID OF ANOTHER PERSON DURING ASSEMBLY.

1. INSTALL THESE COMPONENT AND FASTENERS TO AXEL ASSEMBLY (101792) AS SHOWN AND SECURELY TIGHTEN.



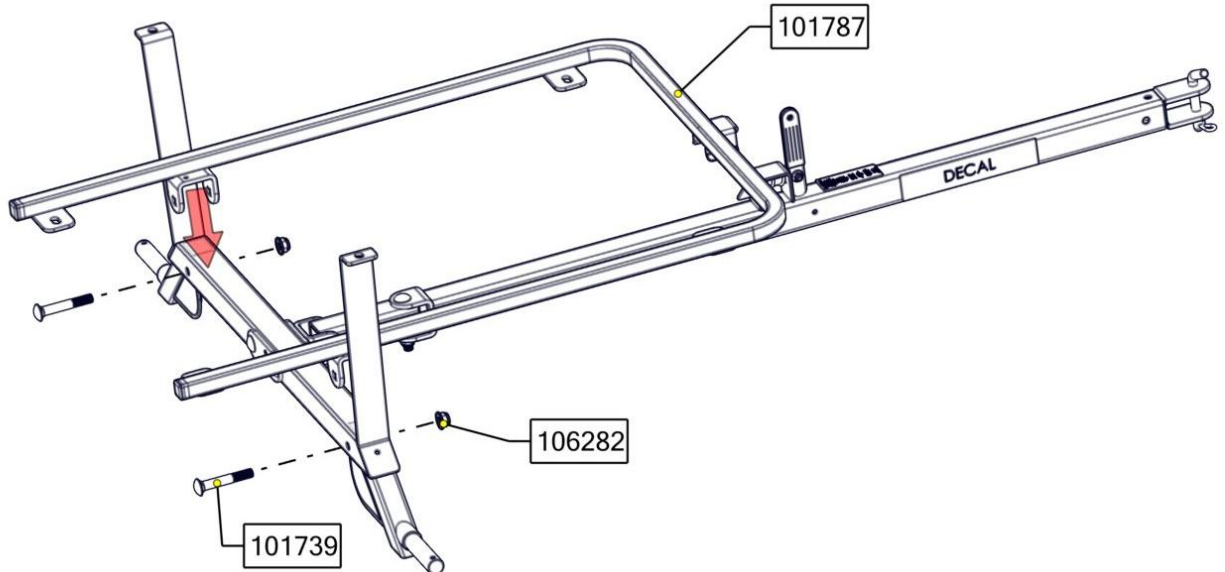
STEP-2

1. USE ASSEMBLY FROM STEP-1 AND ASSEMBLE TO (102239) TONGUE ASSEMBLY WITH FASTENERS AS SHOWN. **DO NOT OVERTIGHTEN**, MUST MOVE FREELY



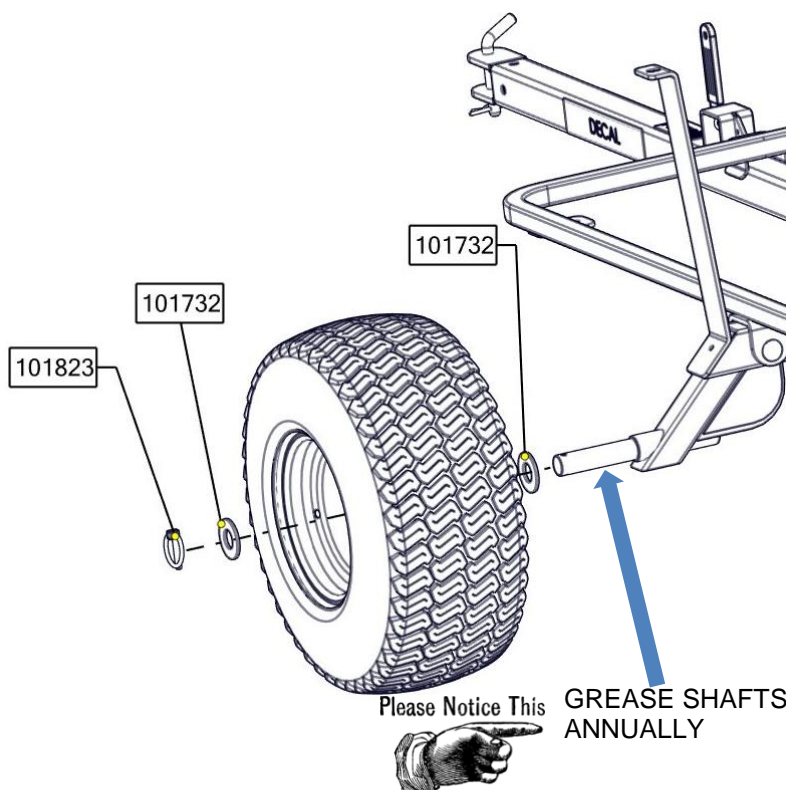
STEP-3

1. ATTACH U-FRAME (101787) TO COMPLETED ASSEMBLY FROM STEP 2 WITH FASTENERS AS SHOWN AND SECURELY TIGHTEN.

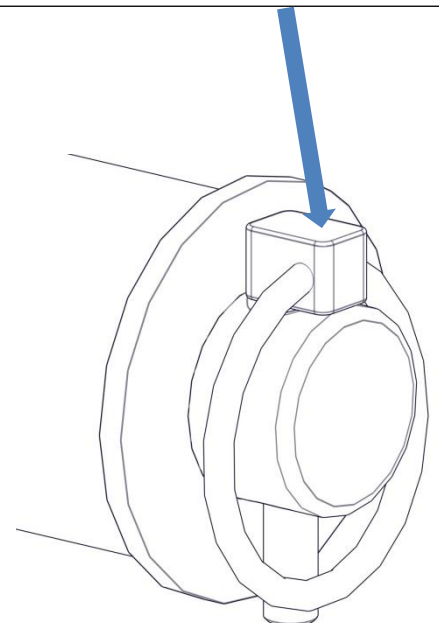


STEP-4

1. ASSEMBLE THE WHEEL (102587) TO AXLE AS SHOWN AND SECURE WITH PIN (101823)

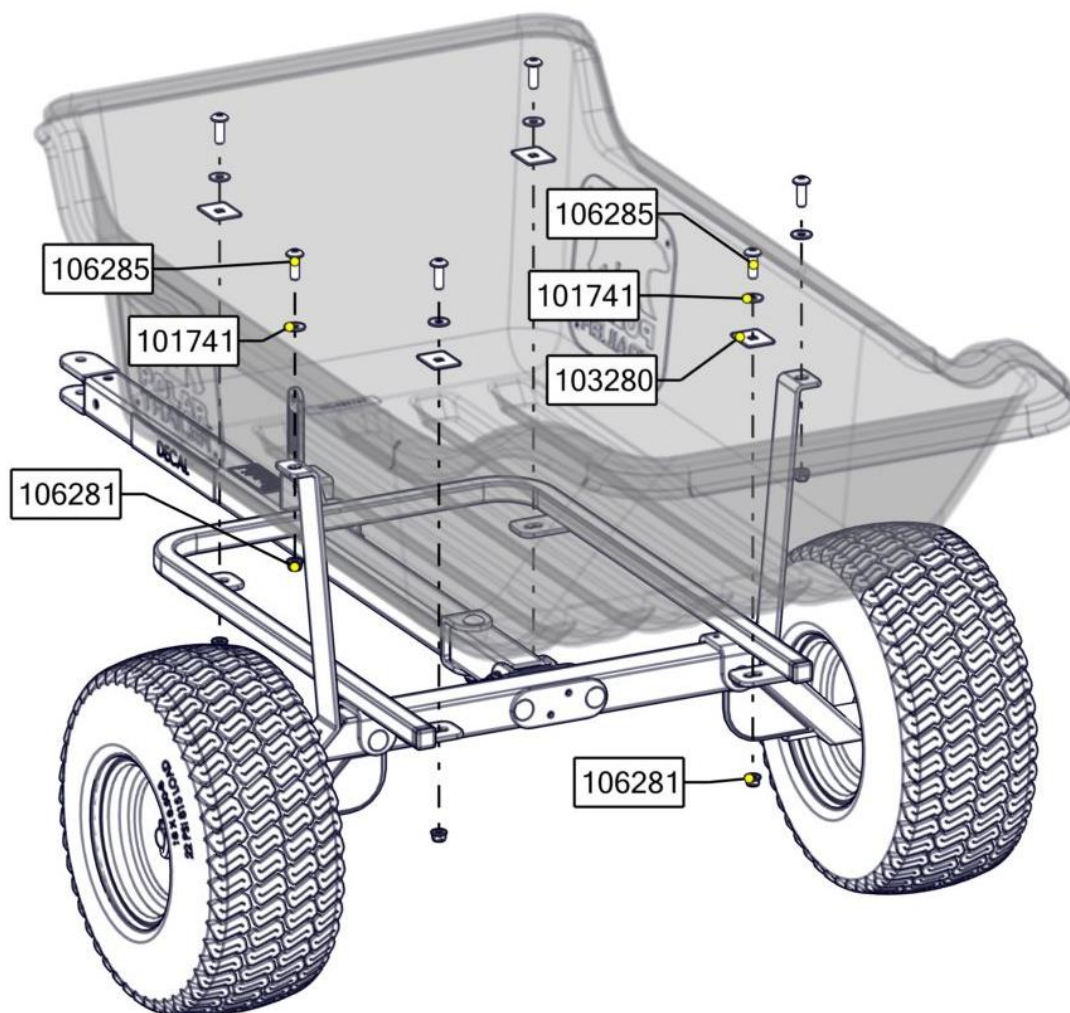


! LYNCH PIN (101823) MUST BE LOCKED IN POSITION AS SHOWN BEFORE MOVING TRAILER



STEP-5

1. INSTALL BASE TO FRAME ASSEMBLY WITH ALL FASTENERS AS SHOWN AND **SECURELY TIGHTEN FASTENERS.**



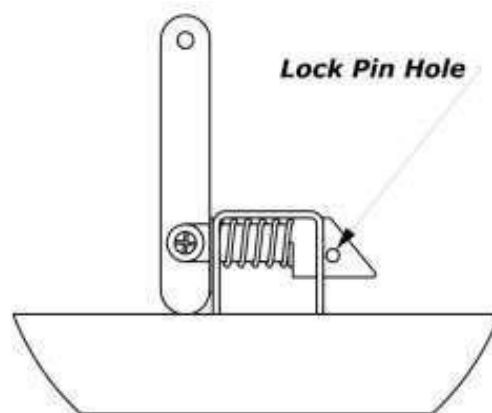
TRAILER OPERATION

Disconnecting Towed Attachment

- Unload trailer.
- Stop attachment on level ground.
- Stop machine engine.
- Lock machine park brake.
- Block attachment wheels

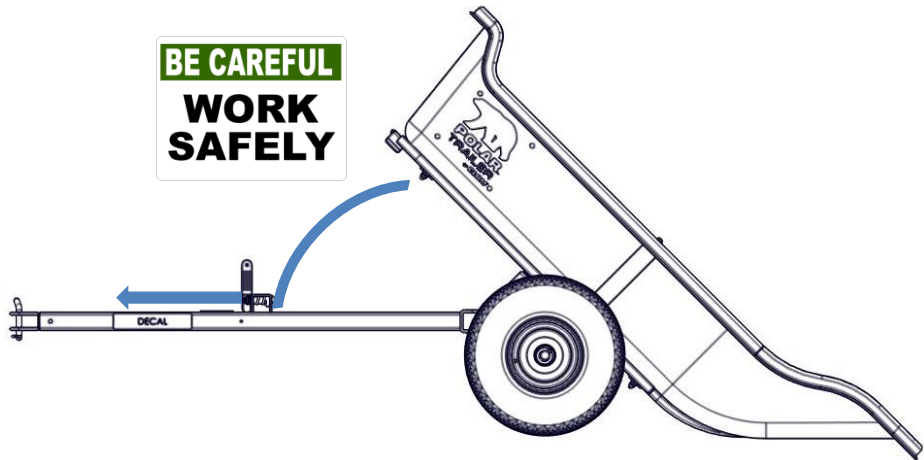
Lock Pin Hole

- A hole has been provided in the Latch Plate to lock the Latch Mechanism if desired.



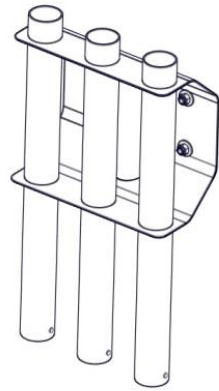
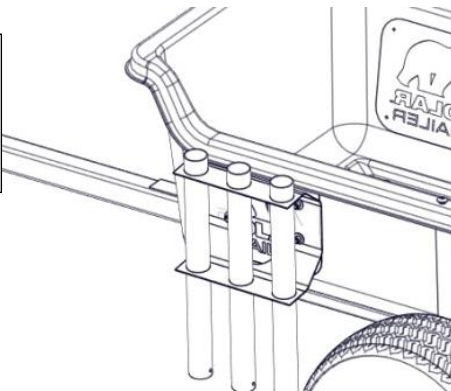
DUMP OPERATION

 **KEEP CLEAR OF ROTATING BOX AREA TO AVOID INJURY**



VISIT OUR WEB-SITE FOR ADDITIONAL ACCESSORIES THAT MAY BE AVAILABLE FOR YOUR TRAILER

TOOL RACK
PART# 110517



TOOL ORGANIZER
PART# 110518

