

## - SPECIFICATIONS HD 1500 -

|                            |                        |
|----------------------------|------------------------|
| <b>Item Number:</b>        | <b>8233</b>            |
| <b>Load Capacity:</b>      | <b>1,500 lbs.</b>      |
| <b>Load Size:</b>          | <b>22 Cubic Feet</b>   |
| <b>Overall Dimensions:</b> | <b>98" x 54" x 31"</b> |
| <b>Overall Weight:</b>     | <b>127 lbs.</b>        |
| <b>Body Dimensions:</b>    | <b>72" x 40" x 18"</b> |
| <b>Tire Size:</b>          | <b>18 x 8.5-8</b>      |
| <b>Instruction P/N</b>     | <b>102655</b>          |

**NOTICE: Once used, this trailer cannot be returned to the store.**

**\*\*Warranty cannot be honored without an original, dated receipt\*\***

### **IMPORTANT PLEASE READ "Warranty Information"**

This product is warranted to the original retail purchaser (not transferable) its product to be free from manufactures defects for one (1) year from date of original purchase. Warranty does not cover rust, minor tub variance, any damage from overloaded or unattended use. The part will be replaced or repaired (manufacture's option) if found defective within the one (1) year time-frame. Warranty will be void if product has been subject to neglect, misuse, improper installation, misapplication, alteration, accident including but not limited to improper maintenance, or use of unauthorized parts or attachments. Please read the entire owner's manual to ensure proper installation, use, storage and care of your Polar Trailer.

### **To submit a "Warranty Claim Request", please use one of the following methods:**

- Email: [customerservice@clamcorp.com](mailto:customerservice@clamcorp.com) (Preferred method)
- Fax: 763-231-4121
- Write: Clam Corp/Polar Trailer – Warranty Department  
600 Clydesdale Trail  
Medina MN 55340

### **Information needed to "Request a Warranty Claim"**

If you would submit a Warranty Claim, please email our Customer Service Department [customerservice@clamcorp.com](mailto:customerservice@clamcorp.com). In your email, please include your full name, address, phone number, a copy of your receipt, a brief description of the problem and pictures to clearly show the area(s) of concern. Our Warranty Department will review your request and a Clam/Polar representative will contact you regarding your claim status. All returns must be returned with postage pre-prepaid.

### **Limitation of Liability**

This trailer is designed for off-road use only! It is expressly understood that Polar Trailer's liability for its products, whether due to breach of warranty, negligence, strict liability, or otherwise, is limited to the repair of the product as stated above. Polar Trailer is not liable for any injury, loss, damage, or expense, whether direct or consequential, including but not limited to loss of use, income, profit, or damage to material arising in connection with the sale, installation, use of, inability to use, or the repair or replacement of Polar Trailer products. Polar Trailer reserves the right to make alterations or modifications in its products at any time, which in its opinion, may improve the performance and efficiency of the product. It shall not be obligated to make such alterations or modifications to products already in service.

**WARNING:**

- **THIS ATTACHMENT IS INTENDED FOR USE IN LAWN CARE AND HOME APPLICATIONS.**
- **DO NOT TOW BEHIND A VEHICLE ON A ROAD OR IN ANY HIGH SPEED APPLICATION.**
- **THIS PRODUCT IS DESIGNED FOR OFF-ROAD USE ONLY.**
- **MAXIMUM TOW SPEED IS 10 MPH.**

### **Transporting Loads Safely**

- Stopping distance increases with speed and weight of towed load. Travel slowly and allow extra time and distance to stop.
- Total towed weight must not exceed limits specified in towing vehicle operator's manual or the load capacity of the trailer.
- Excessive towed load can cause loss of traction and loss of control on slopes. Reduce towed weight when operating on slopes.
- Never allow children or others in or on towed equipment.
- Use only approved hitches. Tow only with a machine that has a hitch designed for towing. Do not attach towed equipment except at the approved hitch point.
- Follow the manufacturer's recommendations for weight limits for towed equipment and towing on slopes.
- Do not turn sharply. Use additional caution when turning or operating under adverse surface conditions. Use care when reversing.
- Do not shift to neutral and coast downhill

### **Protect Bystanders**

- Keep bystanders away when you operate a towed attachment.
- Before you back machine and attachment, look carefully behind attachment for bystanders.

### **Keep Riders off Towed Attachment**

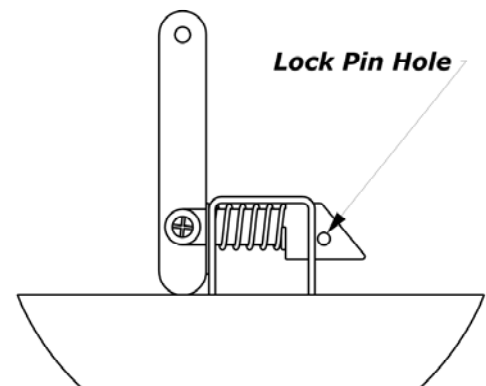
- Keep riders off of a towed attachment.
- Riders on a towed attachment are subject to injury, such as being struck by objects and being thrown off the attachment during sudden starts, stops and turns.
- Riders obstruct the operator's view, resulting in the attachment being used in an unsafe manner.
- Keep riders off of the hitch bracket or trailer tongue.

### **Disconnecting Towed Attachment**

- Unload trailer.
- Stop attachment on level ground.
- Stop machine engine.
- Lock machine park brake.
- Block attachment wheels

### **Lock Pin Hole**

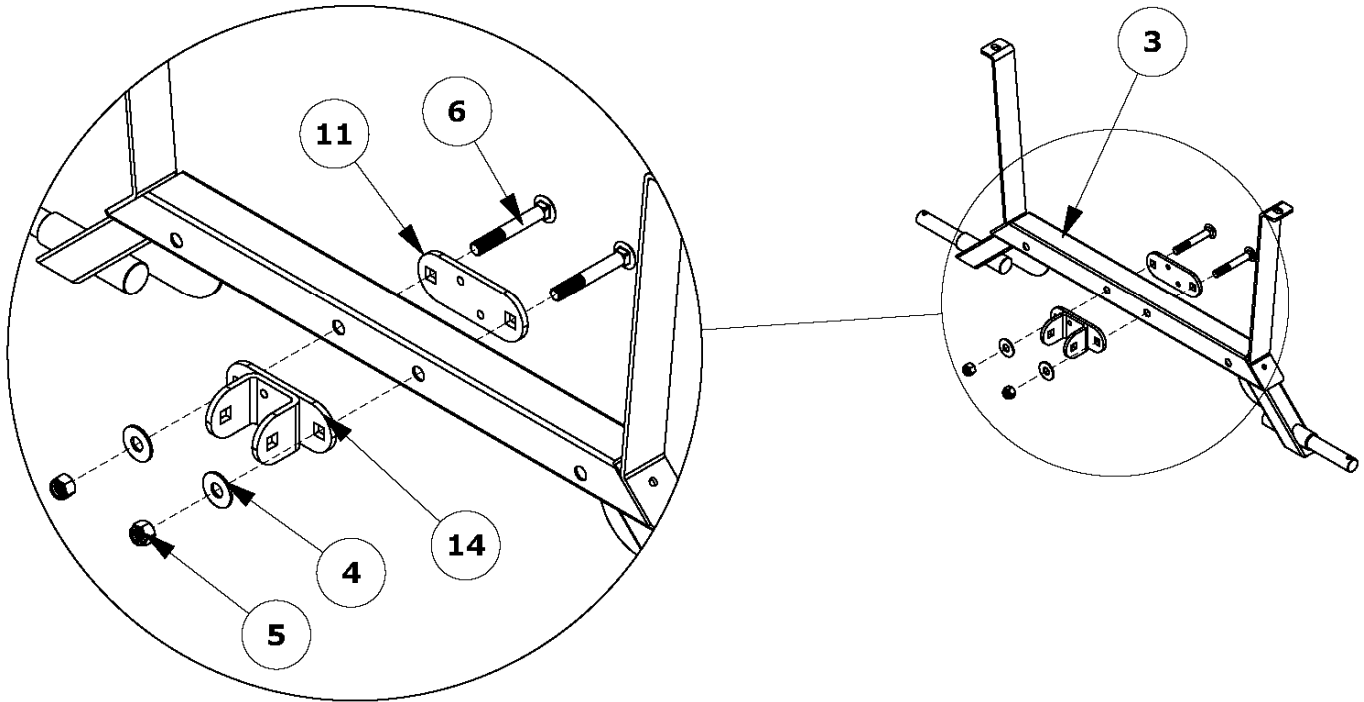
- A hole has been provided in the Latch Plate to lock the Latch Mechanism if desired.>>



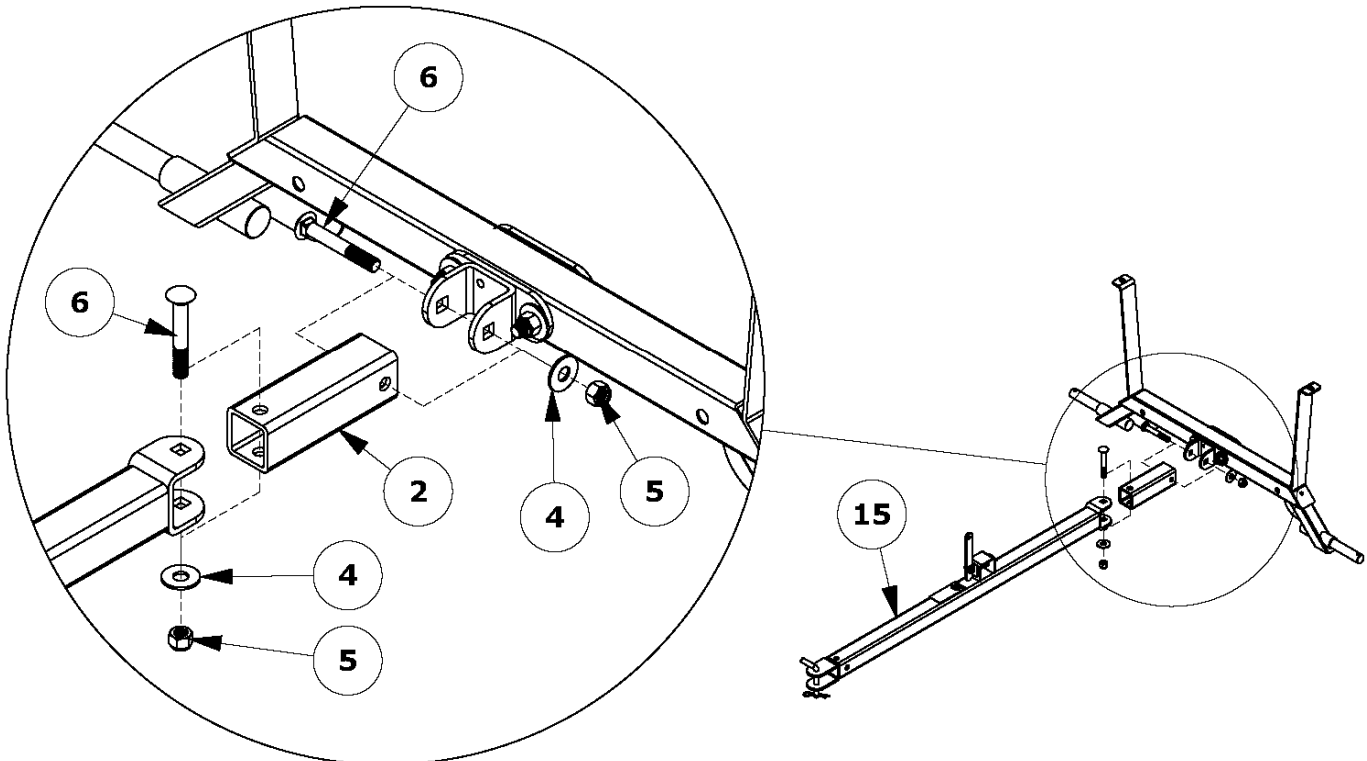
## - Replacement Parts

| ITEM NO. | PART NUMBER | DESCRIPTION                     | QTY. |
|----------|-------------|---------------------------------|------|
| 1        | 102587      | TIRE, 18X8.50-8 TURF            | 2    |
|          | 103121      | 18" TIRE INNER TUBE             | 2    |
| 2        | 101721      | PIVOT TUBE, 2" X 2"             | 1    |
| 3        | 101792      | AXLE WELDMENT                   | 1    |
| 4        | 101312      | WASHER, 1/2" FLAT               | 6    |
| 5        | 101313      | NUT, 1/2-13 NYLOCK              | 6    |
| 6        | 101739      | BOLT, 1/2-13 X 3.50"            | 6    |
| 7        | 101740      | NUT, 3/8-16 NYLOCK              | 6    |
| 8        | 101741      | WASHER, 3/8" FLAT               | 6    |
| 9        | 101749      | BOLT, 3/8-16 X 1.25"            | 6    |
| 10       | 101787      | U-FRAME ASSEMBLY                | 1    |
| 11       | 101824      | PULL SUPPORT PLATE              | 1    |
| 12       | 101732      | WASHER, 1" FLAT                 | 4    |
| 13       | 101823      | 1/4" LYNCH PIN                  | 2    |
| 14       | 101822      | HITCH PULL WELDMENT             | 1    |
| 15       | 102239      | HITCH ASSEMBLY                  | 1    |
| 16       | 101980      | BASE, 1500 POLAR TRAILER        | 1    |
| 17       | 102656      | DECAL, POLAR, HD1500            | 1    |
| 18       | 103280      | SQUARE WASHER                   | 4    |
| 19       | 102658      | DECAL, POLAR, ONE TOUGH TRAILER | 1    |

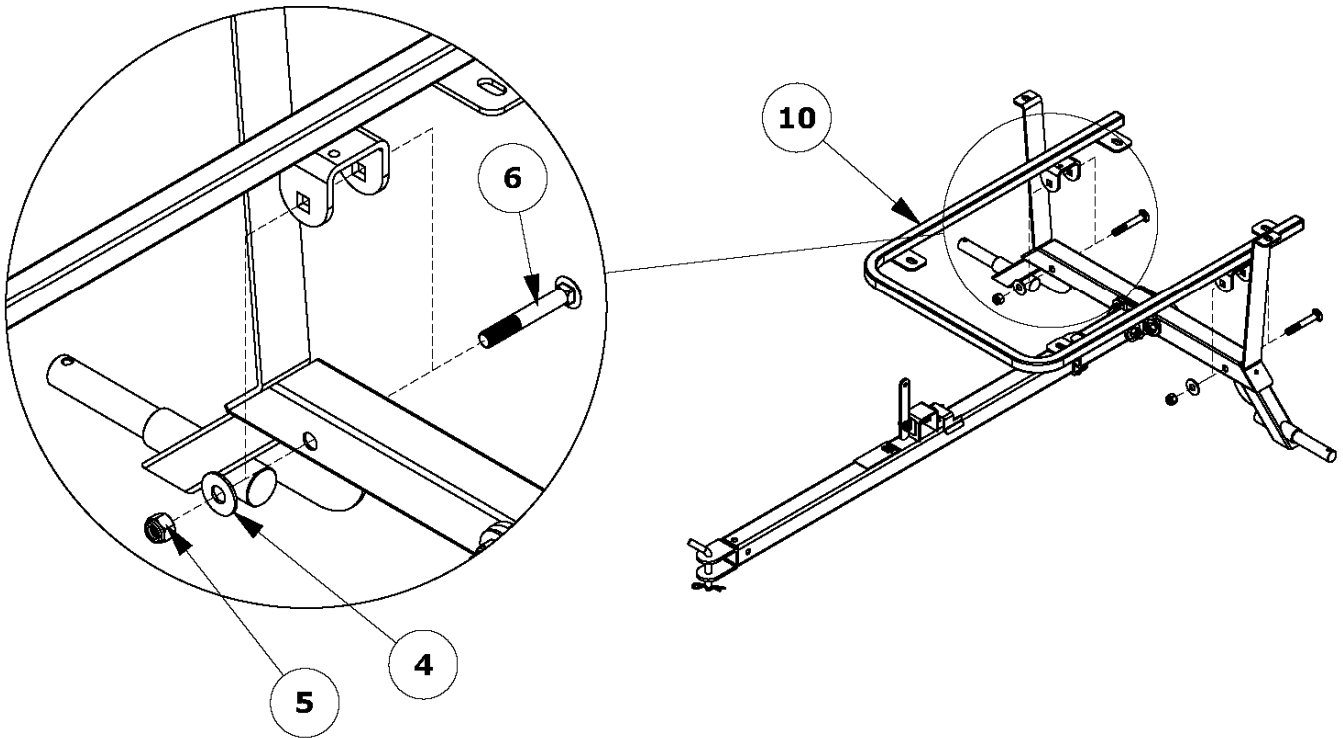
# STEP ONE



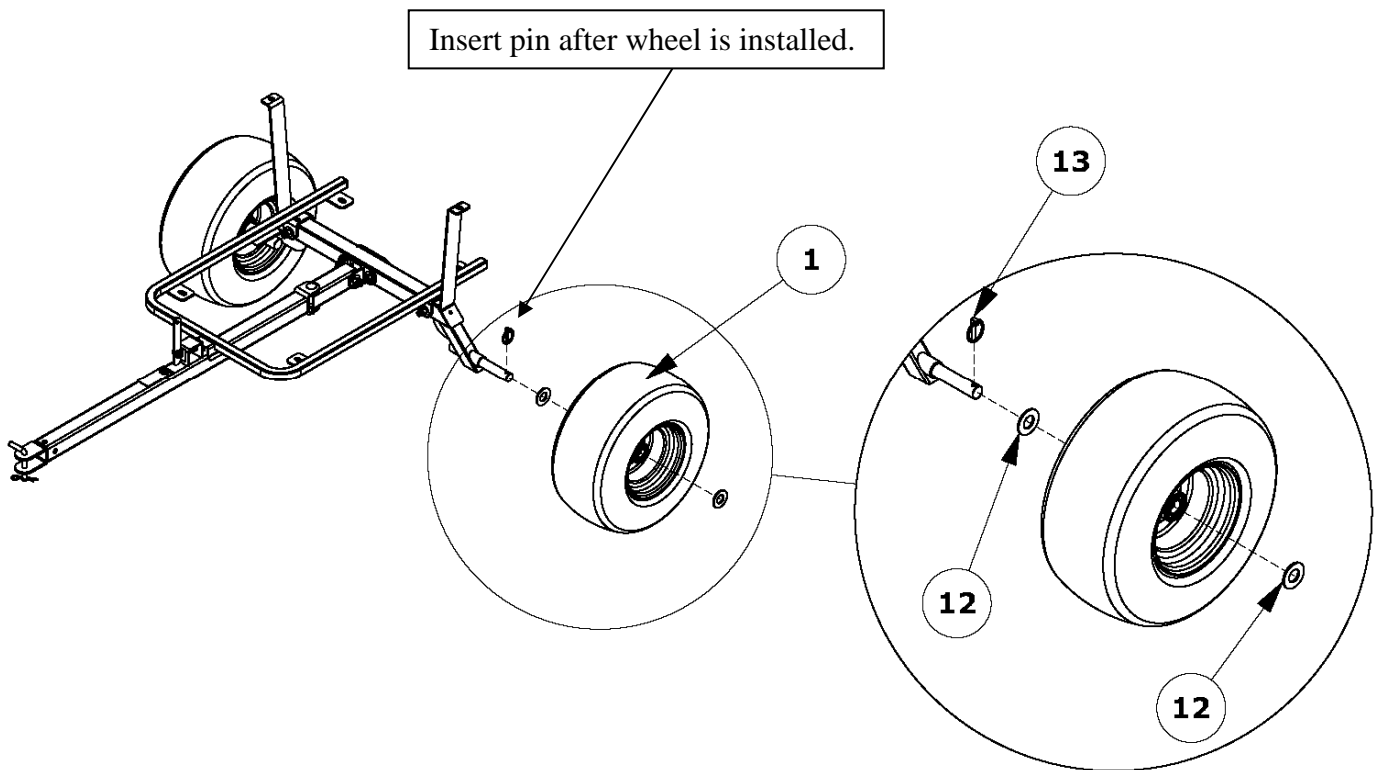
# STEP TWO



### STEP THREE



### STEP FOUR



**STEP FIVE**

