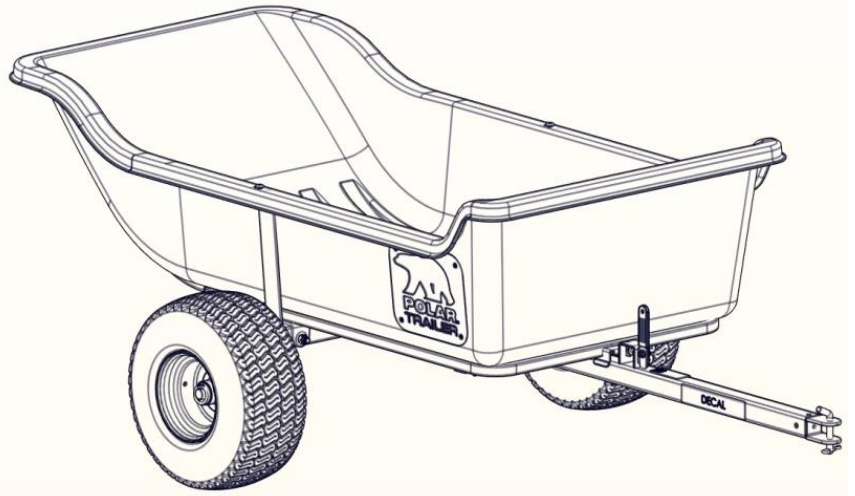




# HD 1500



## **- SPECIFICATIONS**

<b>Model Number:</b>	<b>8233</b>
<b>Part Number:</b>	<b>108384</b>
<b>Load Capacity:</b>	<b>1500 lbs.</b>
<b>Load Size:</b>	<b>22 Cubic Feet</b>
<b>Overall Dimensions:</b>	<b>98" x 54" x 31"</b>
<b>Overall Weight:</b>	<b>127 lbs.</b>
<b>Body Dimensions:</b>	<b>72" x 40" x 18"</b>
<b>Tire Size:</b>	<b>18 x 8.5</b>
<b>Instruction P/N</b>	<b>102655-B</b>

**NOTICE:** Once used, this trailer cannot be returned to the store. If you have a warranty claim, please read and follow Warranty Information directions below.

## **WARRANTY INFORMATION**

CLAM OUTDOORS INC. warrants to the original retail purchaser its product be free from manufacturers defects for (3) years from the date of the original purchase. Clam Outdoors Inc will replace or repair any part found defective within the (3) years time limit. All parts must be returned to Clam Outdoors Inc. Before returning any parts, you must first call or write and acquire a return authorization. All returns must be returned postage-prepaid and include the original cash register receipt (date and purchase price).

### **To submit a warranty claim request, please use one of the following methods:**

- Customer Service Hrs: 9am to 4pm, Monday – Friday Central Standard Time
- Clam Corporation  
Attn: Customer Service – Warranty Department  
12135 Brockton Lane  
Rogers, MN 55369
- Phone: 763-231-4120
- Fax: 763-231-4121
- Email: [customerservice@clamcorp.com](mailto:customerservice@clamcorp.com)
- Website: [Clamoutdoors.com](http://Clamoutdoors.com)


The warranty does not apply to any Polar Trailer which has been subjected to an accident, improper installation, modification, adjustment, repair, misuse, misapplication, neglect, including but not limited to improper maintenance, or use of unauthorized parts or attachments.

## **LIMITATION OF LIABILITY**

It is expressly understood that Clam Outdoors Inc. liability for its products, whether due to breach of warranty, negligence, strict liability, or otherwise, is limited to the repair of the product as stated above. Clam Outdoor Inc. is not liable for any injury, loss, damage, or expense, whether direct or consequential, including but not limited to loss of use, income, profit, or damage to material arising in connection with the sale, installation, use of, inability to use, or the repair or replacement of Clam Outdoor Inc. products. Clam Outdoor Inc. reserves the right to make alterations or modifications to products already in service.

**WARNING:**

- **THIS ATTACHMENT IS INTENDED FOR USE IN LAWN CARE AND HOME APPLICATIONS.**
- **DO NOT TOW BEHIND A VEHICLE ON A HIGHWAY OR IN ANY HIGH SPEED APPLICATION.**
- **THIS PRODUCT HAS BEEN DESIGNED FOR OFF-ROAD USE ONLY.**
- **MAXIMUM TOW SPEED IS 10 MPH.**

 THE FOLLOWING STATEMENTS ARE SUGGESTIONS AND DO NOT SUPERCEDE OR ELIMINATE ANY TOWING AND SAFETY INSTRUCTIONS LISTED IN ANY OWNERS MANUALS FOR ANY PRODUCT BEING USED FOR THE PURPOSE OF TOWING ANY CLAM OUTDOORS INC. PRODUCTS. ALWAYS REFER TO THE TOWING VEHICLES MANUAL, GUIDELINES OR INSTRUCTIONS.

### **Transporting Loads Safely**

- Stopping distance increases with speed and weight of towed load. Travel slowly and allow extra time and distance to stop.
- Total towed weight must not exceed limits specified in towing vehicle operator's manual.
- Excessive towed load can cause loss of traction and loss of control on slopes. Reduce towed weight when operating on slopes.
- Never allow children or others in or on towed equipment.
- Use only approved hitches. Tow only with a machine that has a hitch designed for towing. Do not attach towed equipment except at the approved hitch point.
- Follow the manufacturer's recommendations for weight limits for towed equipment and towing on slopes.
- Do not turn sharply. Use additional caution when turning or operating under adverse surface conditions.  
Use care when reversing.
- Do not shift to neutral and coast downhill

### **Protect Bystanders**

- Keep bystanders away when you operate a towed attachment.
- Before you back machine and attachment, look carefully behind attachment for bystanders.

### **Keep Riders off Towed Attachment**

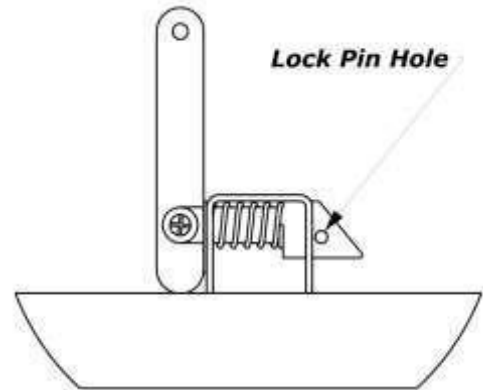
- Keep riders off of a towed attachment.
- Riders on a towed attachment are subject to injury, such as being struck by objects and being thrown off the attachment during sudden starts, stops and turns.
- Riders obstruct the operator's view, resulting in the attachment being used in an unsafe manner.
- Keep riders off of the hitch bracket or trailer tongue.

## Disconnecting Towed Attachment

- Unload trailer.
- Stop attachment on level ground.
- Stop machine engine.
- Lock machine park brake.
- Block attachment wheels

### Lock Pin Hole

- A hole has been provided in the Latch Plate to lock the Latch Mechanism if desired.



## PARTS LIST

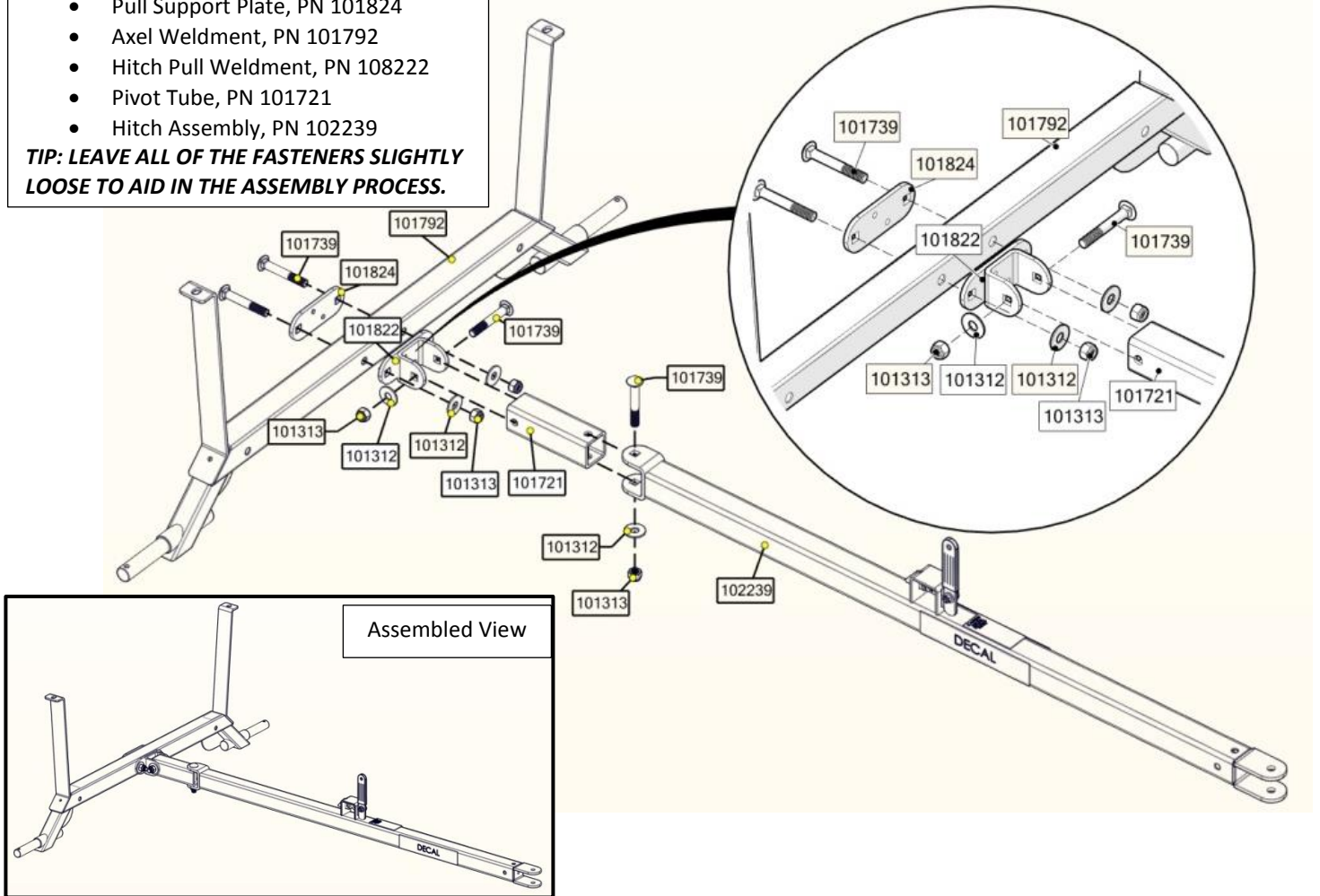
QTY.	PART NO.	DESCRIPTION
2	102587	ASSY, RIM/HUB
1	101980	BASE, LRG XTR TRL
1	102656	DECAL, POLAR, HD1500
1	102658	DECAL, POLAR, ONE TOUGH TRAILER
1	101721	TUBE, 2 X 2 PIVOT
1	101787	ASSY, LRG U-FRAME
1	101792	WELDT, LRG AXLE
1	101824	PLATE, BLACK PULL SUPPORT
1	101822	WELDT, HITCH PULL
1	102239	ASSY, LRG HITCH TUBE
6	101312	WASHER, 1/2" FLAT REG CZ
6	101313	NUT, 1/2-13 NYLOCK
6	101739	BOLT, 1/2-13 X 3.50 CB GR5 CZ
6	101740	NUT, 3/8-16 NYLOCK CZ
6	101741	WASHER, 3/8" FLAT REG CZ
6	101749	BOLT, 3/8-16 X 1.25 TH GR5 CZ
4	101732	WASHER, 1" FLAT SAE CZ
2	101823	PIN, 1/4" LYNCH
4	103280	WASHER, SQUARE, TRAILERS
1	102200	BENT ARM PIN
1	102201	SPRING COTTER PIN
1	109265	#4 PHILLIPS SCREW DRIVER
1	102655	ASSEMBLY INSTRUCTIONS

## STEP 1

Assemble the:

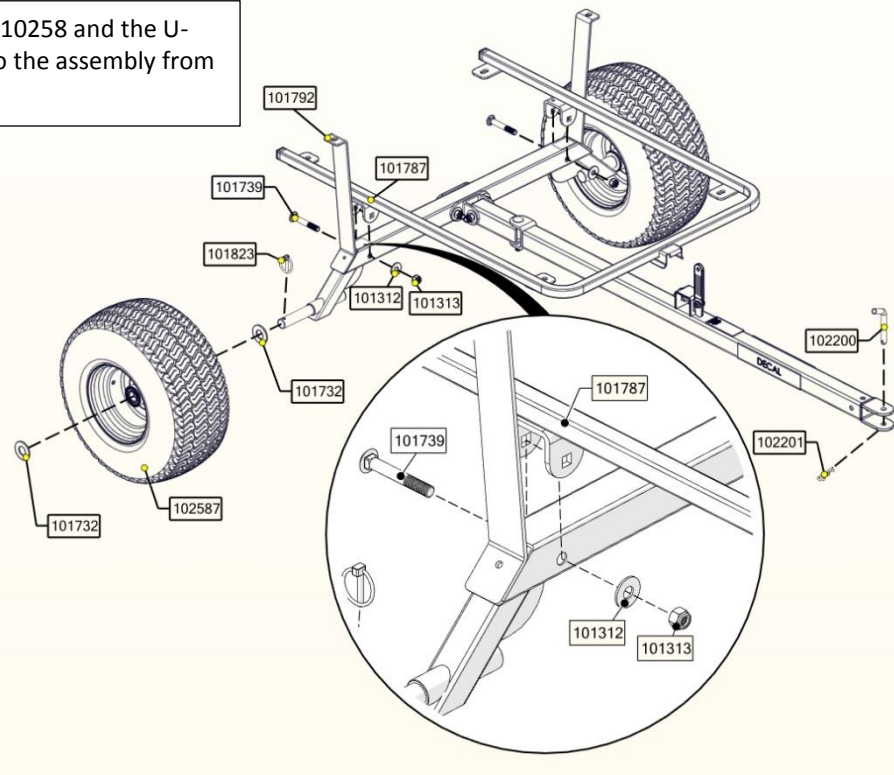
- Pull Support Plate, PN 101824
- Axel Weldment, PN 101792
- Hitch Pull Weldment, PN 108222
- Pivot Tube, PN 101721
- Hitch Assembly, PN 102239

**TIP: LEAVE ALL OF THE FASTENERS SLIGHTLY LOOSE TO AID IN THE ASSEMBLY PROCESS.**



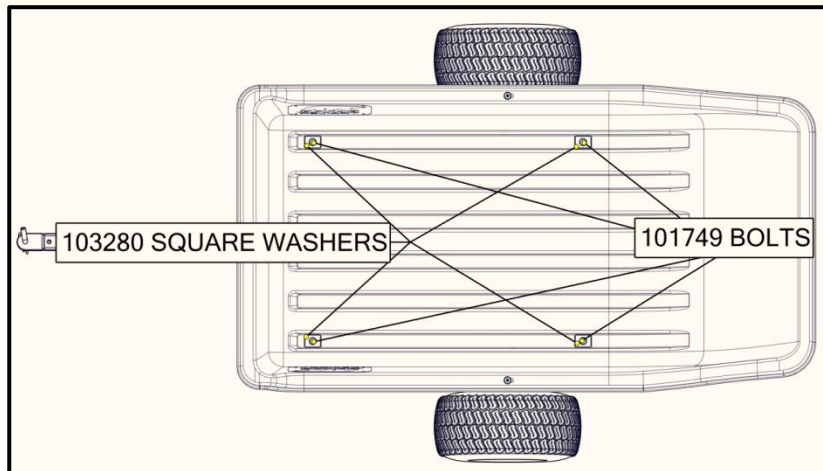
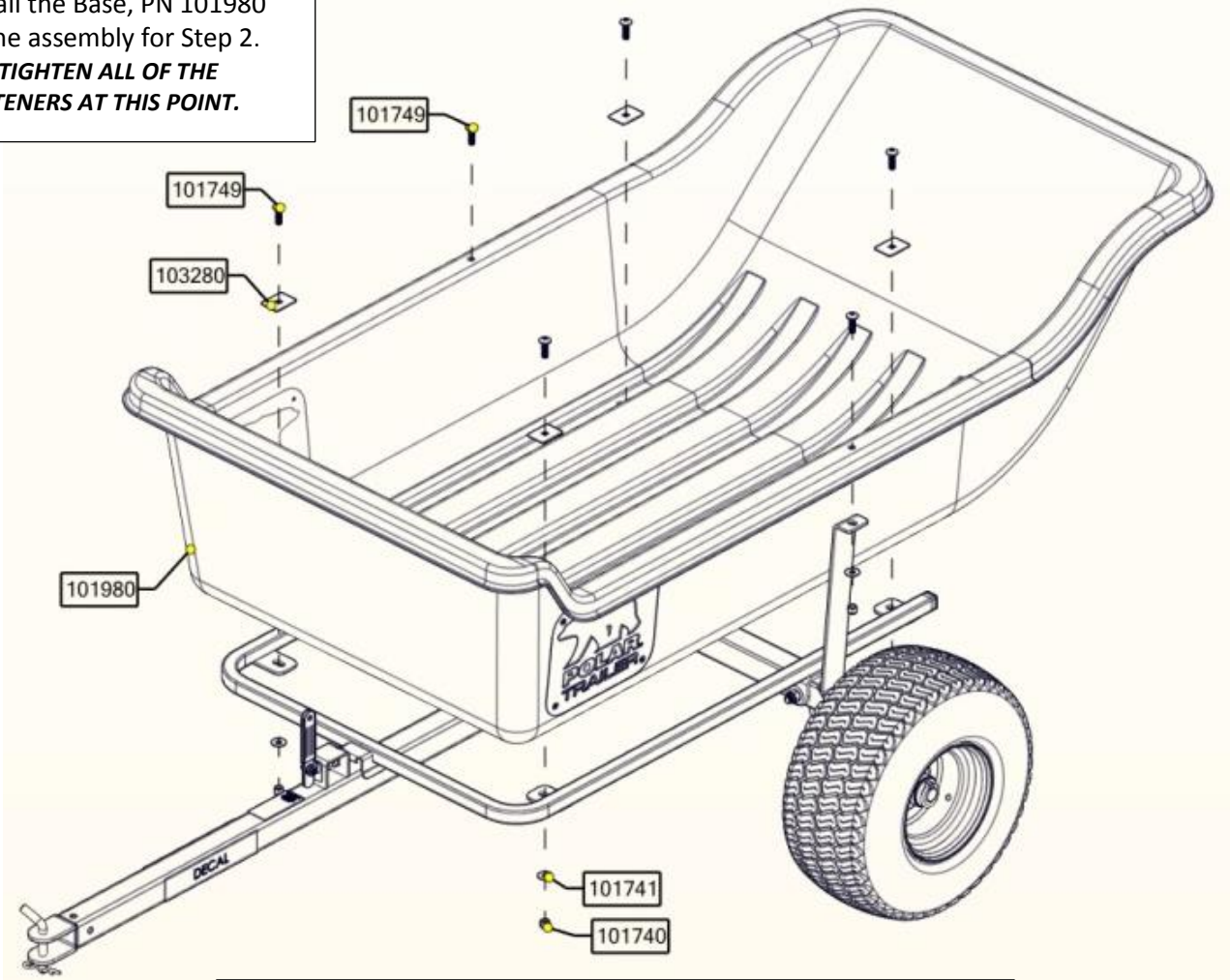
## STEP 2

Attach the Tires, PN 10258 and the U-Frame, PN 101787 to the assembly from Step 1.



### STEP 3

Install the Base, PN 101980 to the assembly for Step 2.  
**TIP: TIGHTEN ALL OF THE FASTENERS AT THIS POINT.**



### STEP 4

Increase your Trailer capacity with the Side Rail Kit, PN 108272.  
Cover the Trailer's load with the Travel Cover, PN 108266.  
These can be viewed and purchased along with other exciting and innovative products by visiting our website at [clamoutdoors.com](http://clamoutdoors.com)