

TOOL ORGANIZER

PRODUCT ITEM NUMBER-110518
DIMENSIONS: L21"XW9.75"XH4.5"
WEIGHT: 4lbs
MANUAL NUMBER-104788-B

MODEL ITEM: 10518

LIMITATION OF LIABILITY

NOTICE: Once used, this kit cannot be returned to the store. If you have a warranty claim, please read and follow Warranty Information directions below

WARRANTY INFORMATION

CLAM OUTDOORS INC. warrants to the original retail purchaser its product be free from manufacturers defects for (5) years from the date of the original purchase. Clam Outdoors Inc will replace or repair any part found defective within the (5) years time limit. All parts must be returned to Clam Outdoors Inc. Before returning any parts, you must first call or write and acquire a return authorization. All returns must be returned postage-prepaid and include the original cash register receipt (date and purchase price).

To warranty claim request, please use one of the following methods:

- Customer Service Hrs: 9am to 4pm, Monday – Friday Central Standard Time
- Clam Corporation
Attn: Customer Service – Warranty Department
12135 Brockton Lane
Rogers, MN 55369
- Phone: 763-231-4120
- Fax: 763-231-4121
- Email: customerservice@clamcorp.com
- Website: Clamoutdoors.com

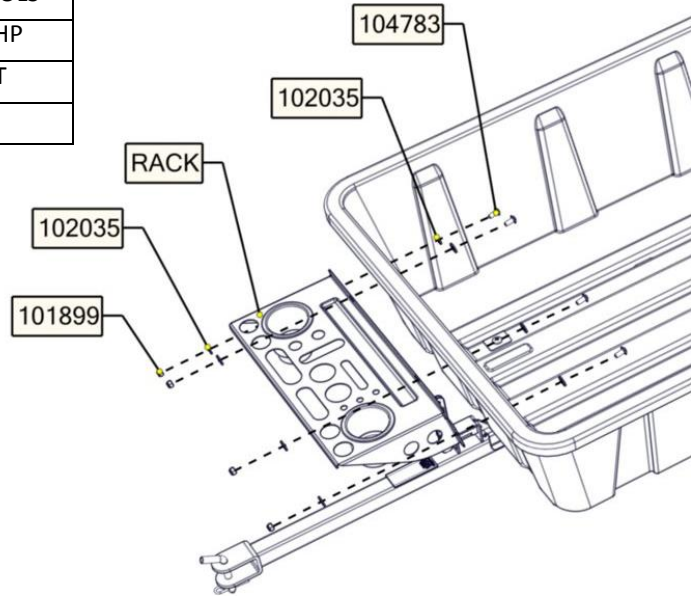
The warranty does not apply to any Polar Trailer accessory which has been subjected to an accident, improper installation, modification, adjustment, repair, misuse, misapplication, neglect, including but not limited to improper maintenance, or use of unauthorized parts or attachments.

LIMITATION OF LIABILITY

It is expressly understood that Clam Outdoors Inc. liability for its products, whether due to breach of warranty, negligence, strict liability, or otherwise, is limited to the repair of the product as stated above. Clam Outdoor Inc. is not liable for any injury, loss, damage, or expense, whether direct or consequential, including but not limited to loss of use, income, profit, or damage to material arising in connection with the sale, installation, use of, inability to use, or the repair or replacement of Clam Outdoor Inc. products. Clam Outdoor Inc. reserves the right to make alterations or modifications in its products at any time, which in its opinion, may improve the performance and efficiency of the product. It shall not be obligated to make such alterations or modifications to products already in service.

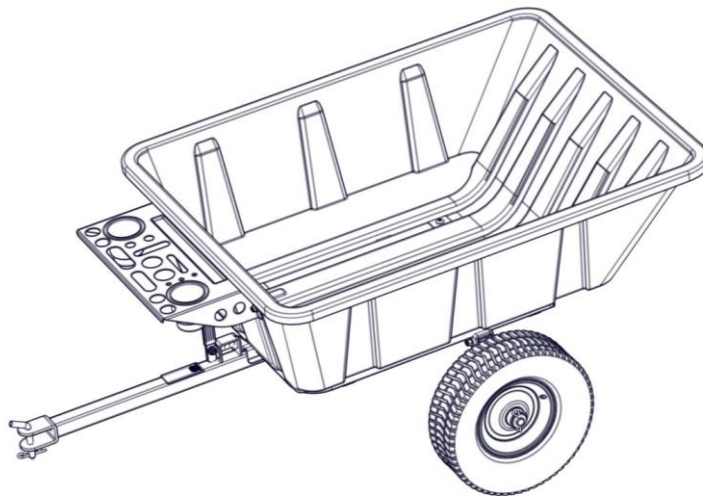
STEP-1

QTY.	PART NO.	DESCRIPTION
1	RACK	RACK, BODY, GARDEN TOOLS
4	104783	SCREW, 5/16-18 X 0.75 THP
8	102035	WASHER, 5/16 WIDE FLAT
4	101899	NUT, 5/16-18 NYLOCK



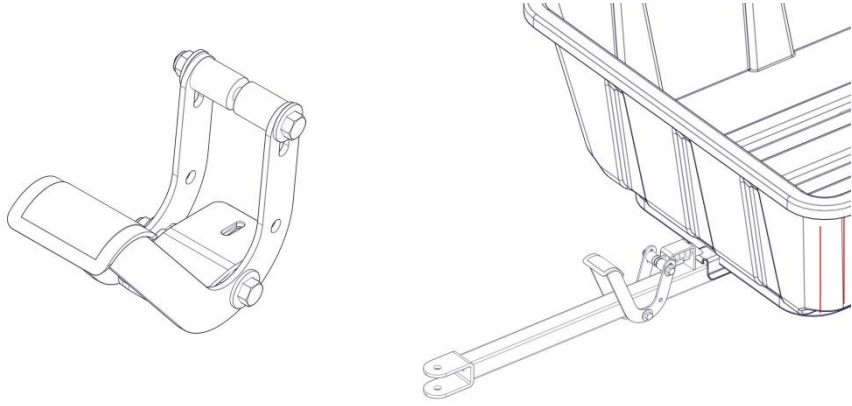
1. PLACE THE RACK IN THE POSITION YOU LIKE ON TRAILER AND MARK HOLE LOCATIONS.
2. DRILL MARKED HOLES WITH A 5/16 DRILL BIT.
3. LOOSELY ASSEMBLE KIT TO TRAILER WALL AS SHOWN.
4. SECURELY TIGHTEN ALL FASTENERS.

FINAL ASSEMBLY

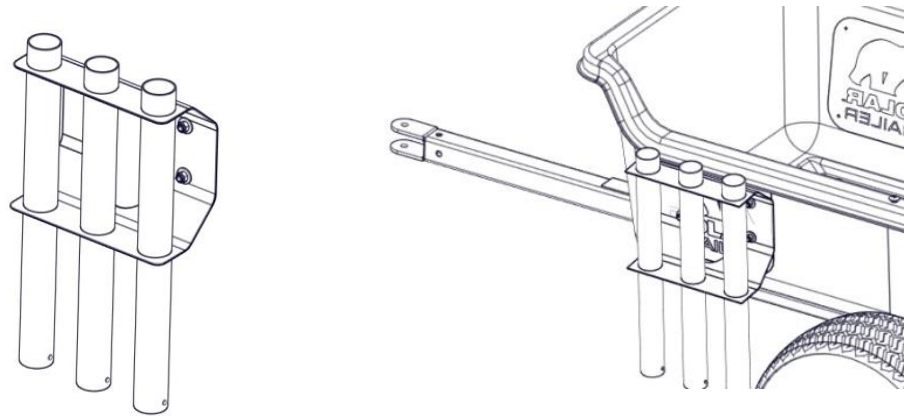


VISIT OUR WEB-SITE FOR ADDITIONAL ACCESSORIES THAT MAY BE AVAILABLE FOR YOUR TRAILER

FOOT PEDAL LATCH



IMPLEMENT HOLDER



SIDE RAIL KITS

